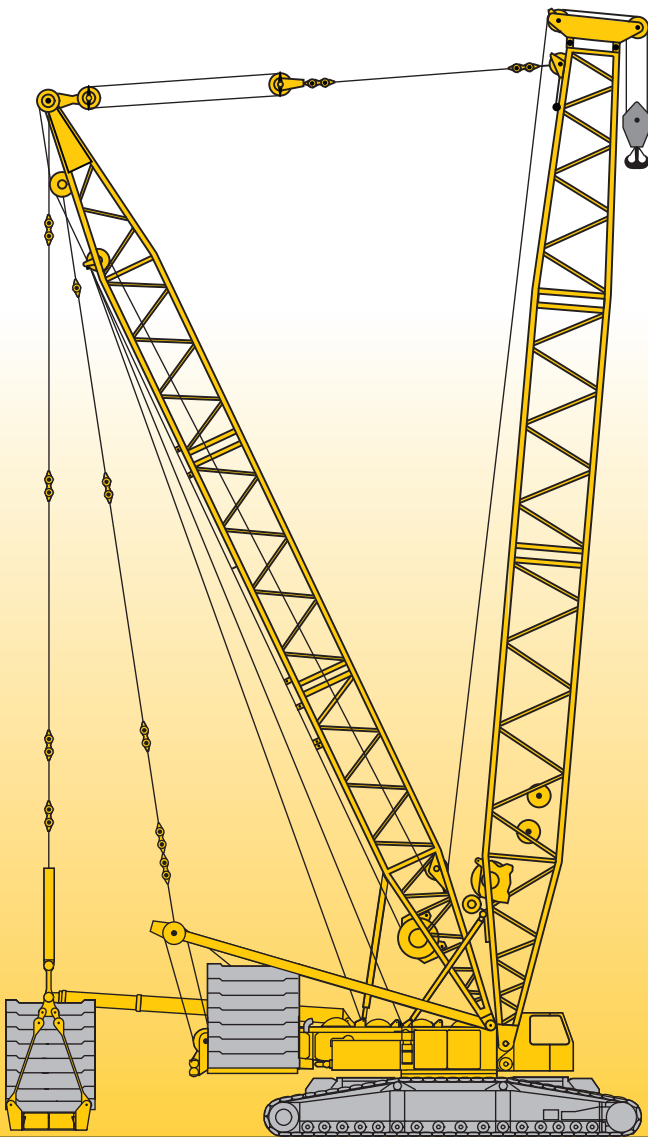


# Crawler Crane

# LR 1400/2

## Technical Data



53-20 44th Street  
Maspeth, Queens, NY 11378  
(718) 784-1776

# LIEBHERR

## Table of contents

### Table of contents

Technical description – Crawler travel gear, Crane superstructure, Boom system, Optional equipment	3
Dimensions	4 – 7
Working speeds	8
Hook blocks and hooks, Reeving chart	9
Transportation plan	10 – 12
Boom/jib combinations	13
Lifting capacities on SL boom	14
Lifting heights on SL boom	15
Lifting capacities on SLD boom/derrick combination	16
Lifting heights on SLD boom/derrick combination	17
Lifting capacities on SLDB boom/derrick combination	18
Lifting heights on SLDB boom/derrick combination	19
Lifting capacities on SLN boom/jib combination 87°	20 – 23
Lifting heights on SLN boom/jib combination 87°	24
Lifting capacities on SLN boom/jib combination 77°	25 – 28
Lifting heights on SLN boom/jib combination 77°	29
Lifting capacities on SLN boom/jib combination 67°	30 – 32
Lifting heights on SLN boom/jib combination 67°	33
Lifting capacities on SLH boom/jib combination	34
Lifting heights on SLH boom/jib combination	35

## Technical description

### Crawler travel gear

<b>Frame</b>	Self-manufactured, torsion-resistant box-type design of high-tensile grain refined steel, comprising crawler centre section and two crawler carriers. The crawler carriers are pinned hydraulically.
<b>Travel gear</b>	Maintenance-free, dirt-protected crawler travel gear with 3'11" (4'11" optional) track pads and centralized lubrication system for tumbler and track roller bearings.
<b>Travel drive</b>	1 (optionally 2) hydraulic drives per crawler carrier, comprising axial piston variable displacement motor, planetary gear with spring-loaded, hydraulically releasable travel brake and tumbler. The crawler chains are controllable synchronously, independently and opposed to one another.
<b>Central ballast</b>	94800 lbs, consisting of 2 slabs 12130 lbs each and 4 slabs 17640 lbs each.

### Crane superstructure

<b>Frame</b>	Self-manufactured, torsion resistant weldment of high-tensile grain refined steel. Connected to crawler travel gear by a 3-row roller slewing rim for 360° continuous rotation.
<b>Crane engine</b>	6-cylinder turbo-charged Liebherr Diesel engine, type D 9406 TI-E A3, water-cooled, output acc. to DIN 300 kW (408 h.p.) at 1900 rpm, max. torque 1261 lbs-ft at 1400 rpm. The engine corresponds to the EU directive 97/68/EG step II and is certified acc. to EPA/CARB and Tier 2. Fuel reservoir 185 gallons.
<b>Crane drive</b>	Diesel-hydraulic by pump distribution gear with 4 axial piston variable displacement pumps with capacity control within closed oil circuits.
<b>Crane control</b>	Servo-control with electronic synchronizing device by three four-way control levers and two two-way control levers (joy-stick type). Continuous control of the crane motions by variation of the hydraulic pumps, additionally by variation of the Diesel engine speed.
<b>Winches 2 and 4</b>	Hydraulically driven cable drums by axial piston variable displacement motor and planetary gear with spring-loaded, hydraulically releasable static brake. Wearfree braking function during lowering by closed oil circuits. Winch 2 – hoist gear, winch 4 – derrick gear. Auxiliary winch for reeving of cables.
<b>Slewing gear</b>	2 slewing gears (optionally 4), hydraulically powered by axial piston variable displacement motor and planetary gear with spring-loaded, hydraulically releasable static brake. Wearfree braking function by closed oil circuits.
<b>Crane cabin</b>	Spacious, all-steel construction cabin, swivelling sideways and tiltable backwards, with operating and control instruments. Self-contained warm-water heating (optionally air-conditioning system).

<b>Safety devices</b>	LICCON safe load indicator, hoist limit switches, electronic inclinometer, safety valves for the prevention of pipe and hose ruptures, anemometer.
<b>Electrical system</b>	24 V DC, 2 batteries of 170 Ah each.
<b>Superstructure ballast</b>	297700 lbs, consisting of 1 base slab of 33100 lbs and 12 slabs of 22050 lbs each.

### Boom system

#### Heavy version

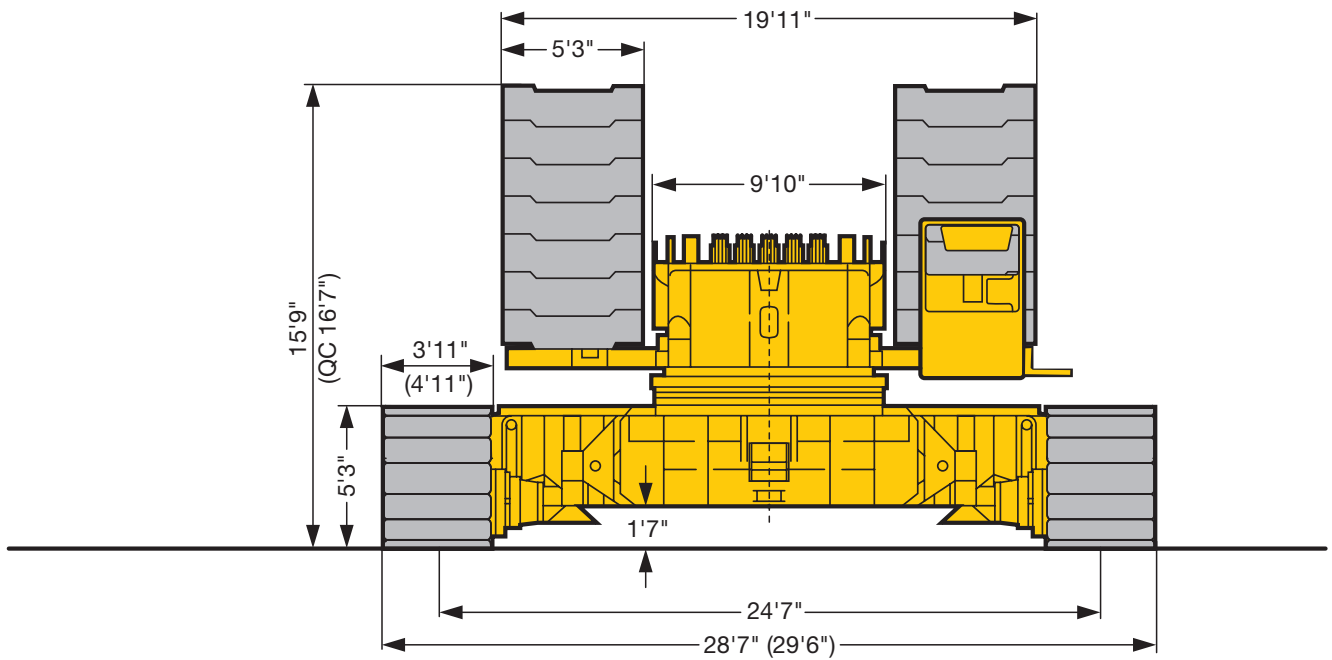
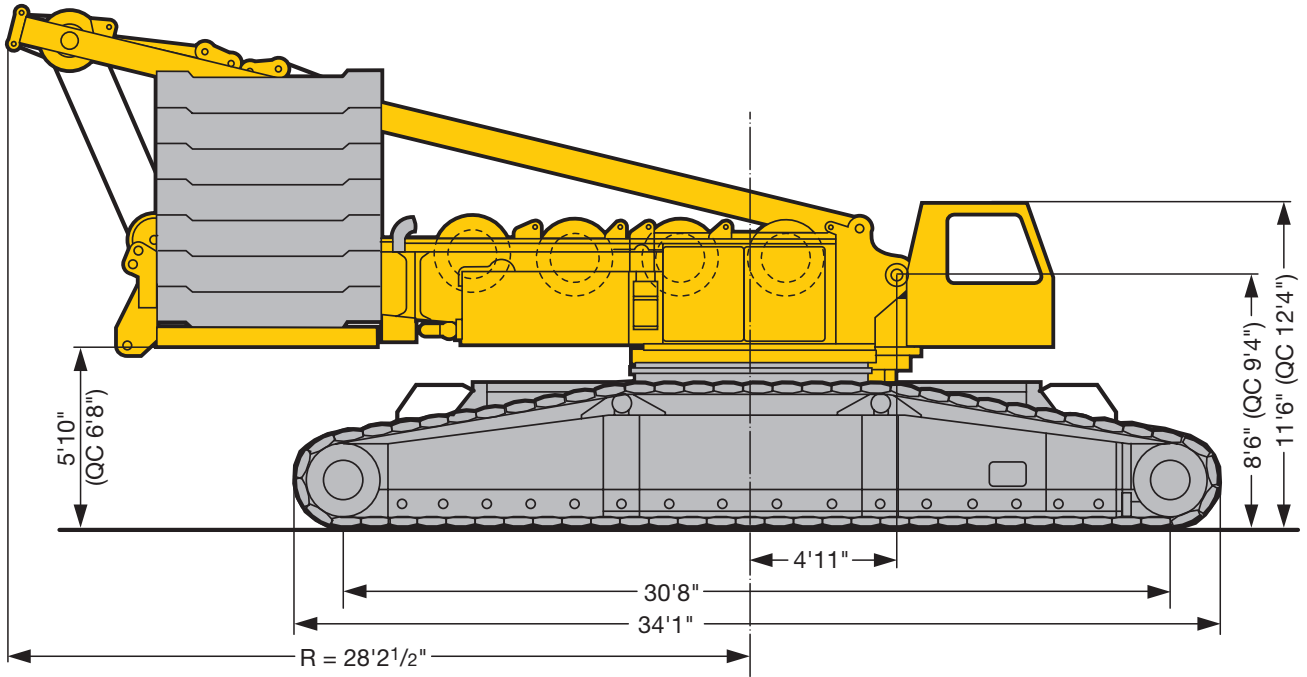
<b>SL – main boom</b>	SL 69 ft – 367 ft (SL 322 ft – 367 ft only with derrick), system 2620.20 / 2620.10, base section 44', intermediate sections 23' and 46', head adapter 23', 550 kips (optional 770 kips), head section 2', safety retaining ram.
<b>N – luffing fly jib</b>	N 69 ft – 299 ft, system 2115.10 / 1812.10, base section 31'2", intermediate sections 23' and 46', reducing section 11'6", 286 kips head section 26'3", retaining device, NA-frames 1 and 2.
<b>H – fixed jib</b>	H 34 ft – 80 ft, system 1812.10.
<b>D – derrick boom</b>	D 92 ft, system 2125.20, base section 34'5", intermediate section 23', head section 34', derricking block, safety retaining ram.
<b>B – suspended ballast</b>	Suspended ballast pallet with compensating rams and hydraulic telescopic guiding device for max. 573000 lbs derrick ballast at max. 49'3" counter-radius.

### Optional equipment

<b>Winches 1, 3, 5 and 6</b>	Winch 1 – hoist gear, winch 3-luffing main boom/D-mode, winch 5 – variation of luffing fly jib, winch 6-additional hoist gear.
<b>Ballast</b>	Superstructure ballast 341800 lbs, additionally 2 slabs of 22050 lbs each. Suspended ballast B 550000 lbs, 25 slabs of 22000 lbs each for a total of 573000 lbs derrick ballast.
<b>Mechanical additional support</b>	For the erection of long boom configurations without derrick ballast.
<b>Hydraulic mounting supports</b>	For raising the basic machine during assembly/disassembly.
<b>Mounting rams crawler carriers</b>	For self-assembly/disassembly of the crawler carriers by the crane.
<b>Portable pin pulling device</b>	For the assembly/disassembly of the pins of the crawler travel gear and the boom pin intermediate sections.
<b>Quick Connection</b>	Rapid coupling system to facilitate separation of the superstructure from the crawler travel gear.
<b>Whip line</b>	Whip line 79400 lbs to be fitted to L-, N-, S-, W-head. Whip line 132200 lbs to be fitted to L-, S- and W-head.

Further equipment items on request.

# Dimensions

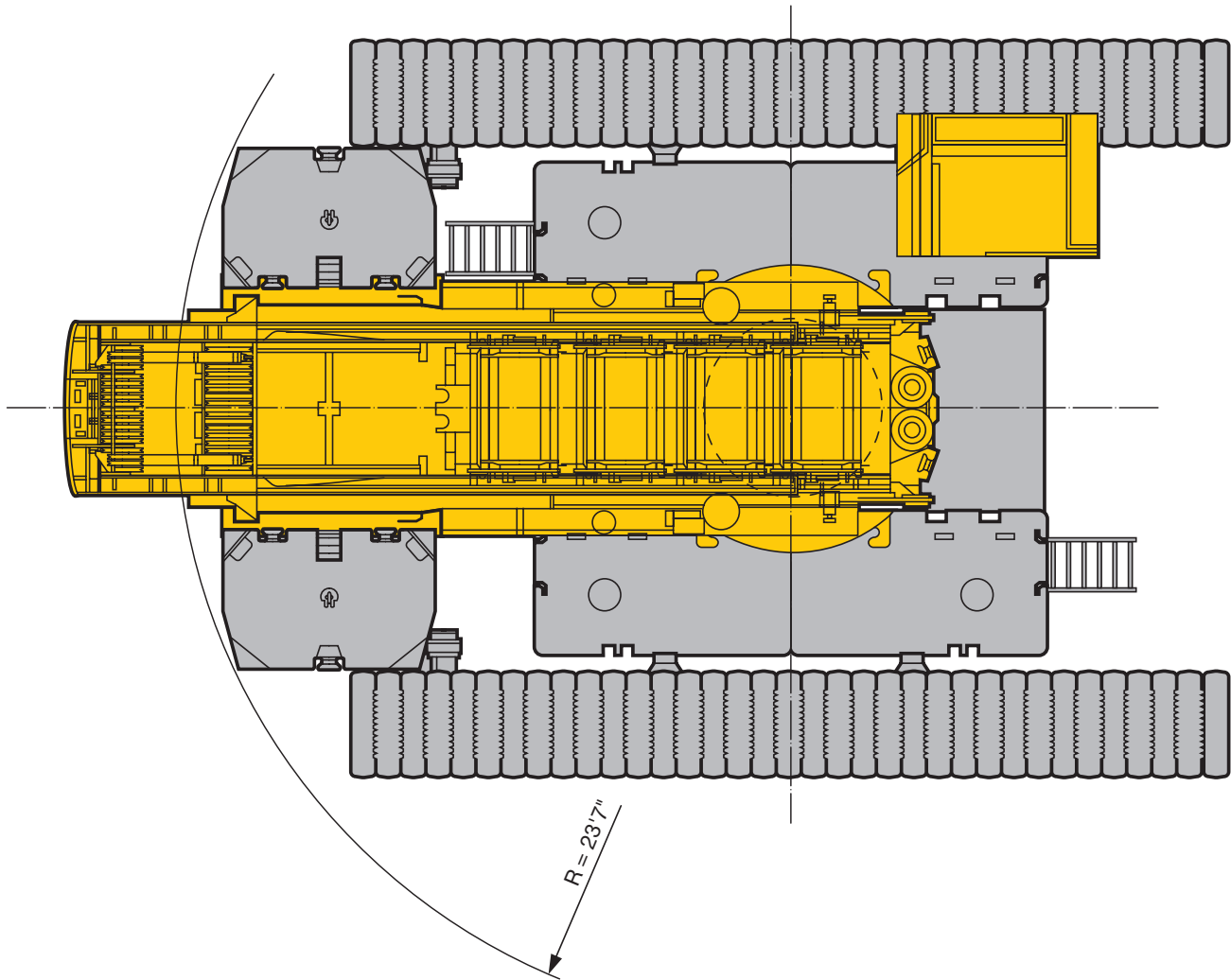


S1526

( ) Pad width 4'11"

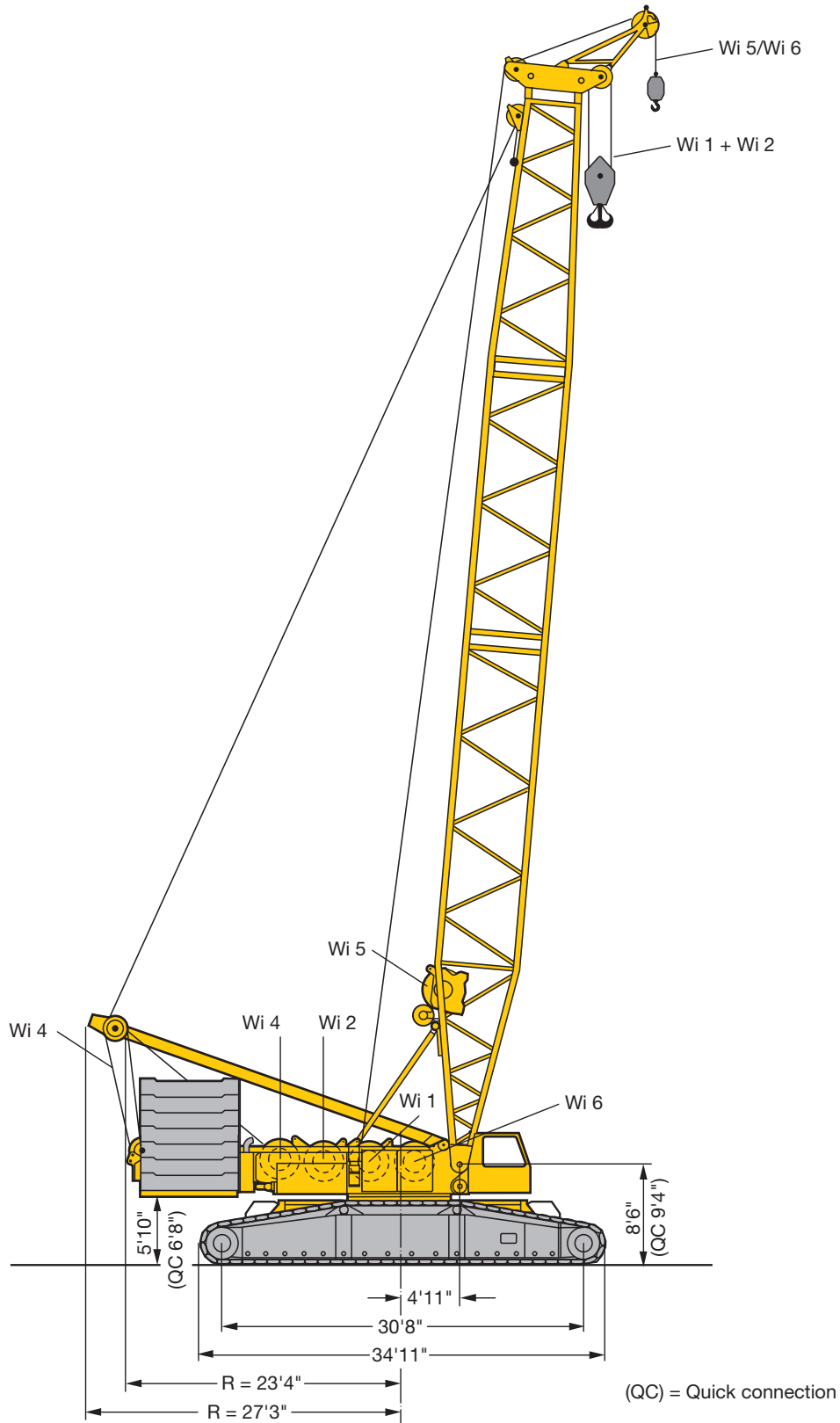
QC = Quick connection

# Dimensions



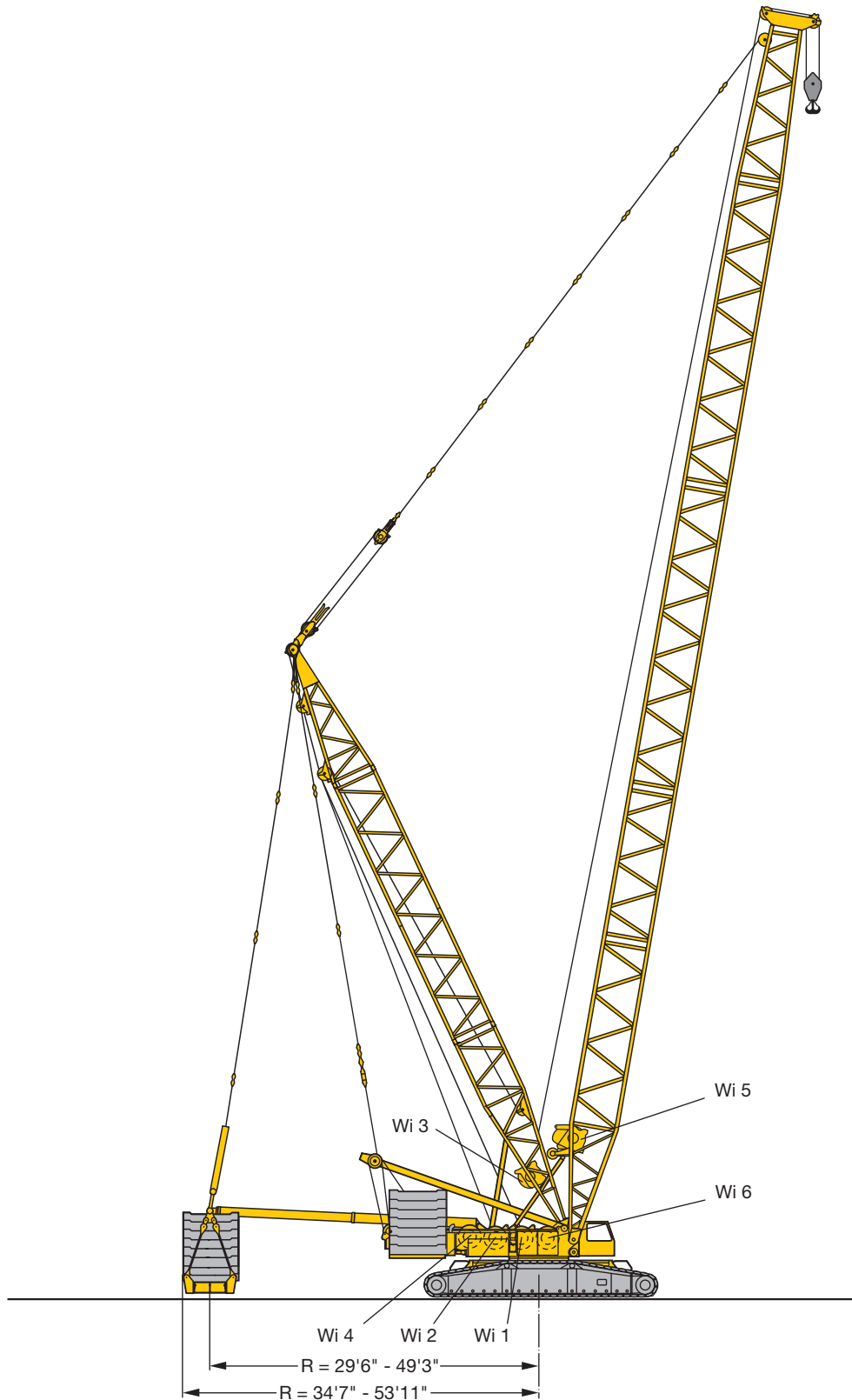
S1527

# Dimensions



S1528

# Dimensions



KS2239

# Working speeds



	Driving force with one drive per crawler carrier	471870 lbs
	Total driving force with two drives per crawler carrier	769545 lbs
	Total weight with main boom S 69 ft, 297700 lbs counterweight, 94800 lbs central ballast and 176 kips hook block	661500 lbs
	Ground pressure at 661500 lbs total weight and 3'3" track pads	19.6 lbs/inch <sup>2</sup>
		0 – 1.1



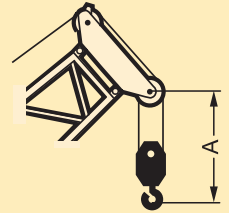
Drive	Mode	Speeds ft/min	Max. single line pull lbs	Rope diameter "	Rope length ft
	Hoist gear	0 – 440	27560	1"	2789
	Hoist gear	0 – 440	27560	1"	2789
	Derricking main boom/ D-operation	0 – 476	28660	1"	3051
	Derrick main boom	2 x 0 – 230	2 x 27560	1"	1903
	Derricking luffing fly jib	0 – 440	27560	1"	2461
	Hoist gear/Whipline	0 – 440	27560	1"	1640
	0 – 87°	approx. 4 min. for boom length 161 ft			
		0 – 1,2 rpm			



## Hook blocks and hooks



Load (kips)	No. of sheaves	No. of lines	Weight lbs	Dimension A (ft)
880 (440)	2 x 9 (1 x 9)	2 x 19 (1 x 19)	17600 (11880)	17'5"
550 (275)	2 x 5 (1 x 5)	2 x 11 (1 x 11)	13200 (8360)	15'1"
352	7	15	7700	14'9"
176	3	7	5720	13'9"
79	1	3	3300	13'1"
26,4	-	1	1320	10'6"



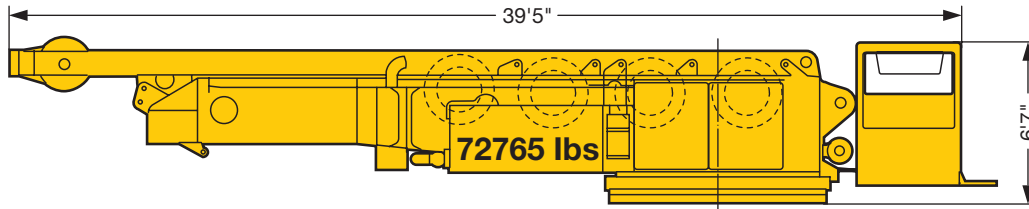
## Reeving chart

No. of lines	1	2	3	4	5	6	7	8	9	10	11	12	13	14	15	16	17	18	19
Max. capacity kips	26.4	52.9	79.4	105.8	130	156.5	180.7	205	227	249.1	273.3	293.2	315.2	335.1	357.1	377	394.6	415.5	438.7
26.4																			
79																			
176																			
275																			
352																			
440																			

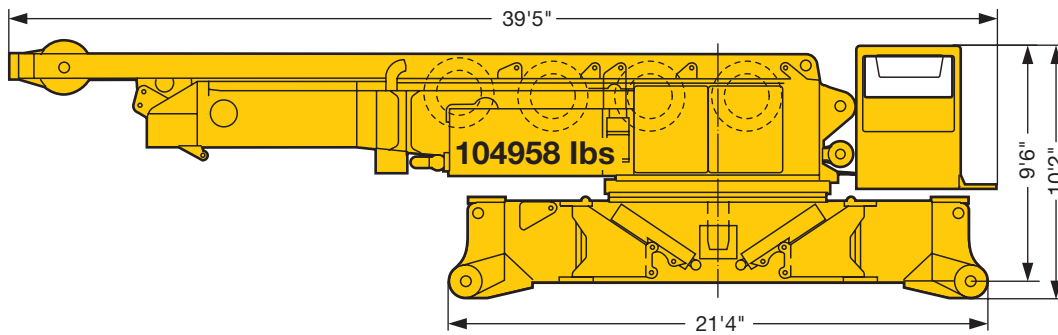
No. of lines	2 x 4	2 x 5	2 x 6	2 x 7	2 x 8	2 x 9	2 x 10	2 x 11	2 x 12	2 x 13	2 x 14	2 x 15	2 x 16	2 x 17	2 x 18	2 x 19
Max. capacity kips	211.6	262.3	313	361.5	410	456.3	500.4	551.1	588.6	632.7	672.4	714.2	754	793.6	833.3	881.8
550/275																
880/440																

# Transportation plan

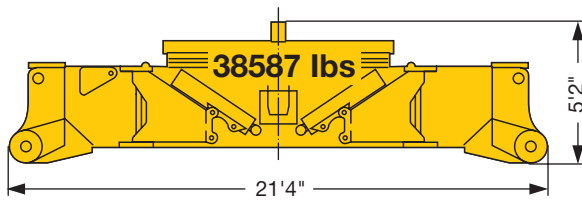
Superstructure with winch IV incl. rope and Quick Connection



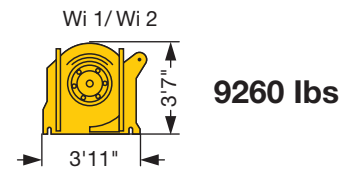
Superstructure with winch IV incl. rope and center section without Quick Connection



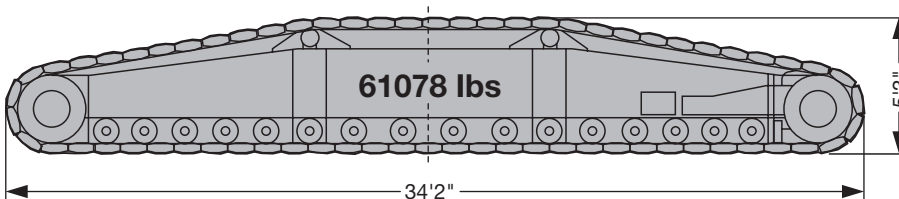
Crawler center section with Quick Connection



Winch 1/2 incl. rops



Crawler



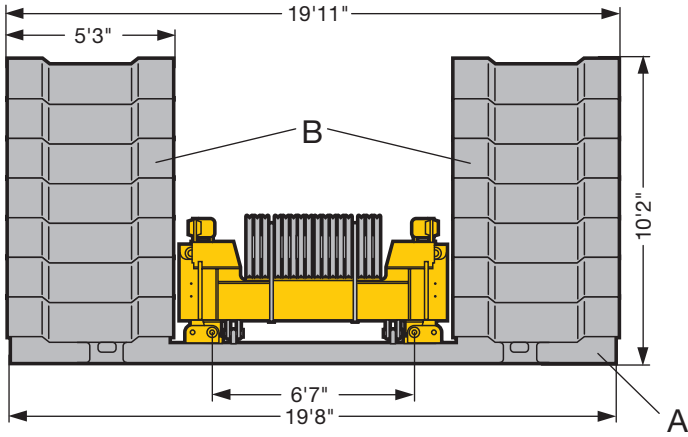
Wi = winch

S1530

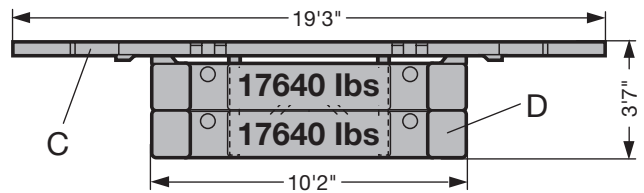
# Transportation plan

Counterweight versions

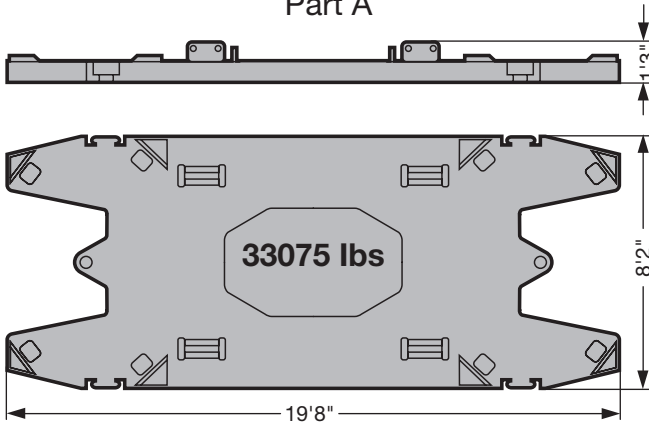
CWT at superstructure



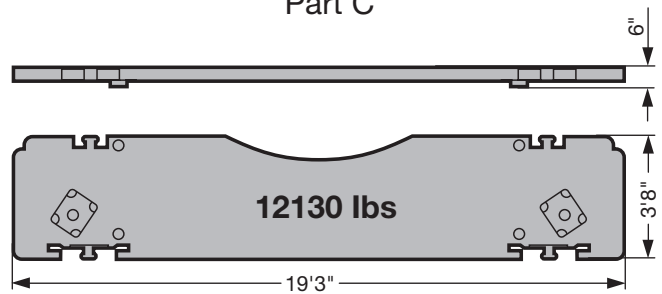
Central CWT



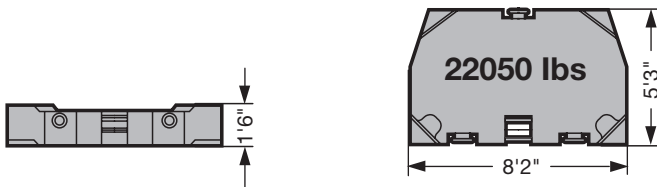
Part A



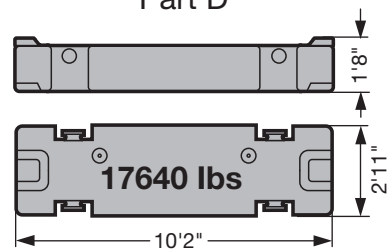
Part C



Part B



Part D



	Part A à 33075 lbs	Part B à 22050 lbs
297 kips	1 x	12 x
341 kips	1 x	14 x

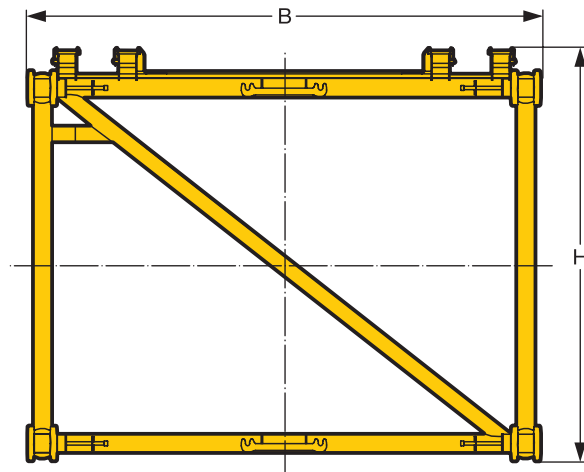
	Part C à 12130 lbs	Part D à 17640 lbs
24 kips	2 x	0 x
95 kips	2 x	4 x

S1531

# Transportation plan

Boom intermediate sections	B x H	Base length	Transport length	Weight lbs*
LA 2620.10	9'2" x 7'10"	23'	24'3"	6400
		45'11"	47'3"	11900
NA 2115.10	7'7" x 5'11"	23'	24'3"	3300
		45'11"	47'3"	6200
NI 1812.10	6'7" x 4'11"	23'	24'3"	3000
		45'11"	47'3"	5500
D 2115.20	8'2" x 6'3"	23'	24'3"	5950
S 2620.20	9'2" x 7'10"	23'	24'3"	8160
		45'11"	47'3"	15200

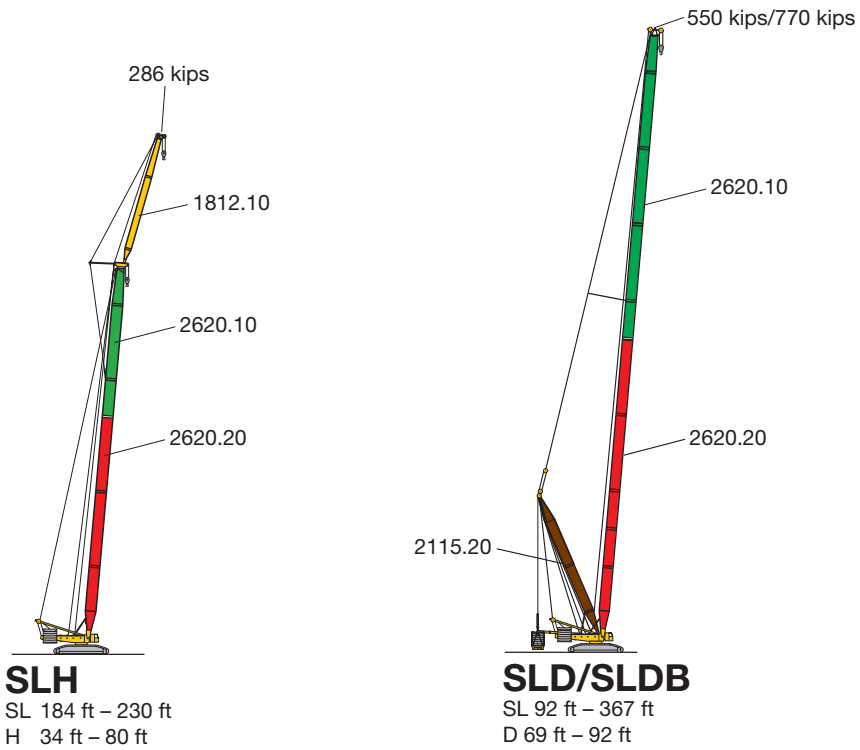
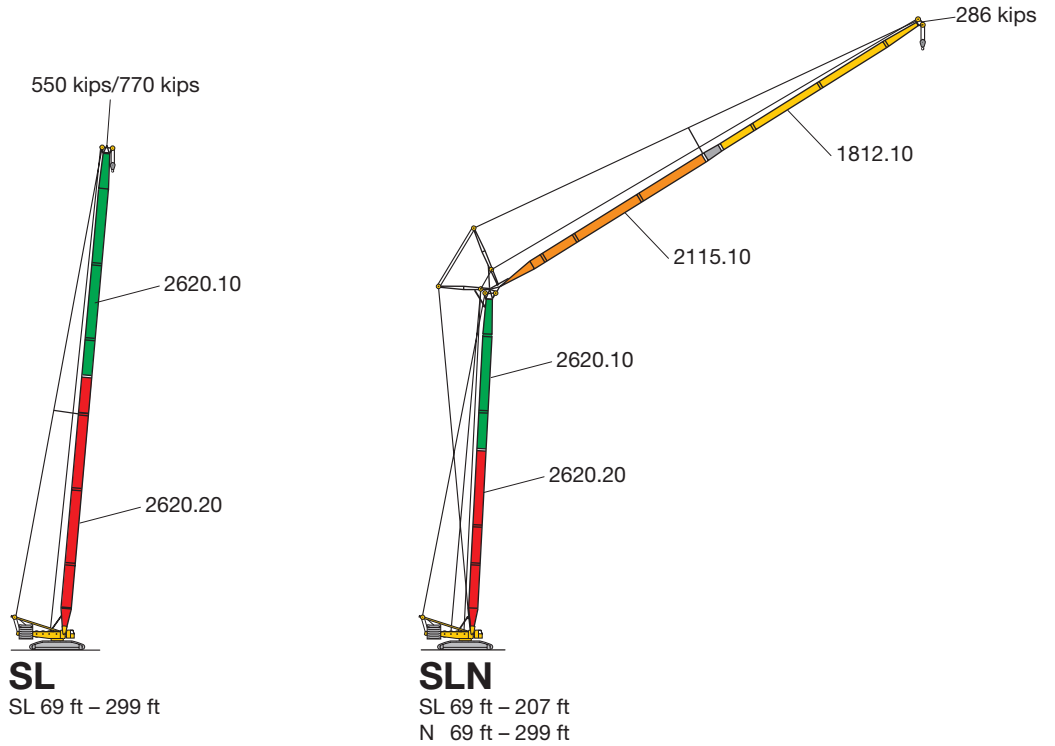
\* Weights incl. guy rods and bolts



# Boom/jib combinations

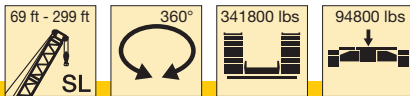
Heavy weight design

- S** Main boom, heavy
- L** Main boom, light
- N** Luffing jib, light
- H** Fixed jib
- D** Derrick
- B** Suspended ballast



KUS1533

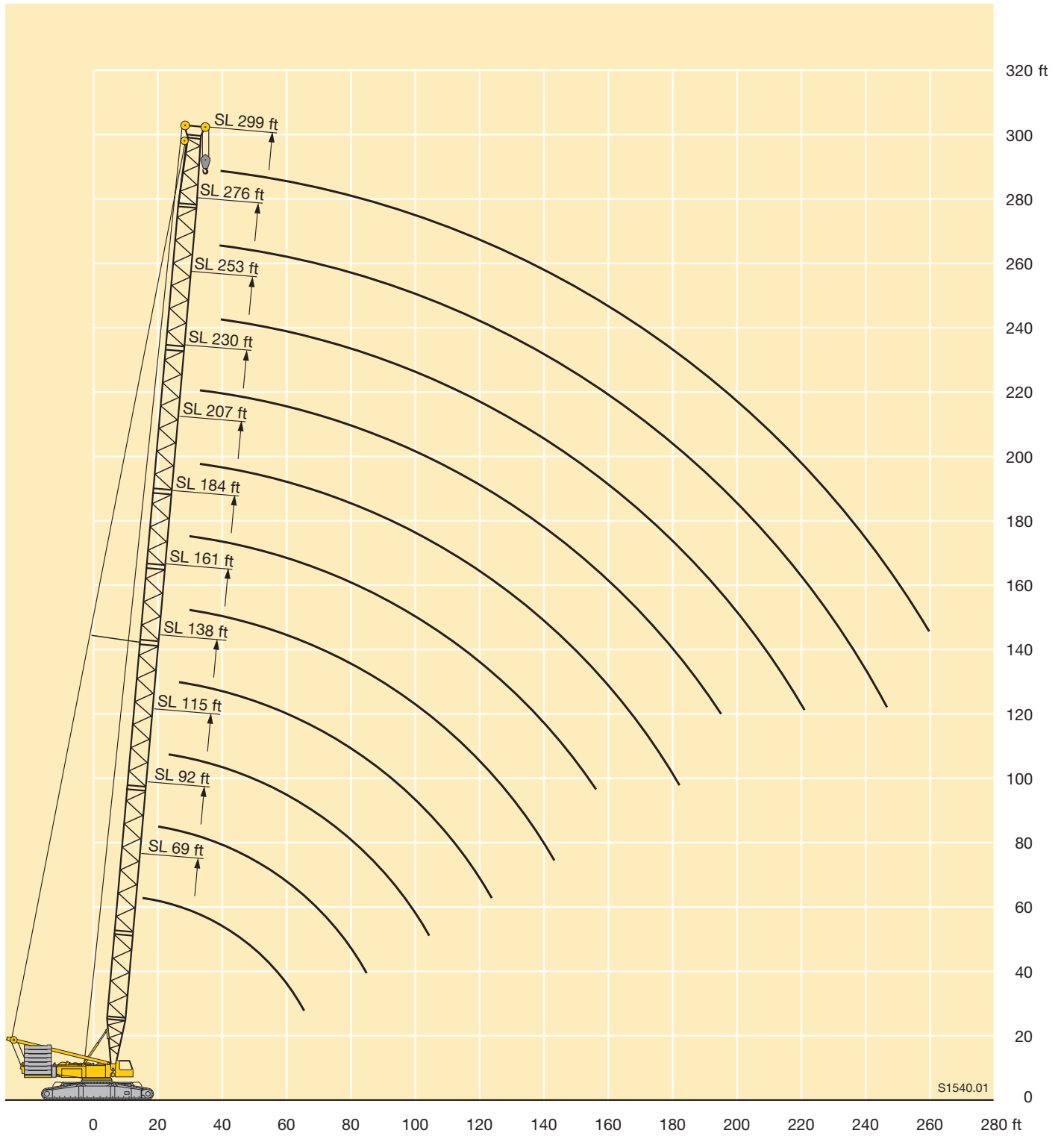
# Lifting capacities on SL boom



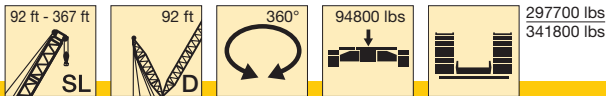
ft	69 ft	92 ft	115 ft	138 ft	161 ft	184 ft	207 ft	230 ft	253 ft	276 ft	299 ft	ft
15	772											15
16	772											16
17	762											17
18	747											18
19	713											19
20	680	664										20
21	650	635										21
22	623	608										22
23	597	583	571	558								23
24	575	562	550	539								24
26	532	520	509	499								26
28	497	486	476	466	440							28
30	464	453	444	435	408	381						30
32	436	426	417	406	381	357						32
34	411	401	393	380	357	335	317	299				34
36	387	379	371	356	335	315	299	283				36
38	367	358	351	335	317	298	283	268	255			38
40	346	339	332	317	300	283	269	255	243	230		40
45	296	294	290	277	263	249	238	226	216	205		45
50	256	254	252	246	235	222	213	202	193	184	176	50
55	223	221	219	218	210	200	191	182	174	166	159	55
60	196	195	193	192	190	180	173	165	158	150	144	60
65	176	174	172	171	170	164	158	150	144	137	131	65
70		157	155	154	153	150	145	138	132	126	120	70
75		143	141	140	139	137	133	127	122	116	111	75
80		131	129	127	126	124	123	117	112	106	102	80
85		120	118	117	116	114	113	108	104	98	94	85
90			109	108	107	104	103	101	96.5	91	87	90
95			102	99.5	98.5	96.5	95.5	93.5	89.5	84.5	80.5	95
100			94.5	92.5	91.5	89	88	86.5	83.5	78.5	75	100
105				86.5	85	82.5	81.5	80	78	73	69.5	105
110				81	79.5	77	76	74	73	68	64.5	110
115				76	74.5	72	70.5	69	68	63.5	60	115
120				71.5	70	67.5	66	64	63	59.3	56	120
125					65.5	63	61.5	59.9	58.8	55.3	52.2	125
130					62	59.3	57.9	56.1	54.9	51.7	48.6	130
135					58.6	56	54.5	52.6	51.4	48.4	45.4	135
140					55.5	52.8	51.2	49.3	48.1	45.2	42.4	140
150						47.1	45.5	43.4	42	39.1	36.5	150
160							40.4	38.1	36.5	33.5	31	160
170							35.9	33.4	31.8	28.7	26	170
180							32	29.4	27.7	24.4	21.5	180
190								25.9	24.1	20.6	17.3	190
200									20.9	17.3	13.8	200
210									18	14.3	11.5	210
220									15.5	12	9.4	220
230										9.9	7.5	230
240										7.9		240

TAB 124065

# Lifting heights on SL boom



# Lifting capacities on SLD boom/derrick combination



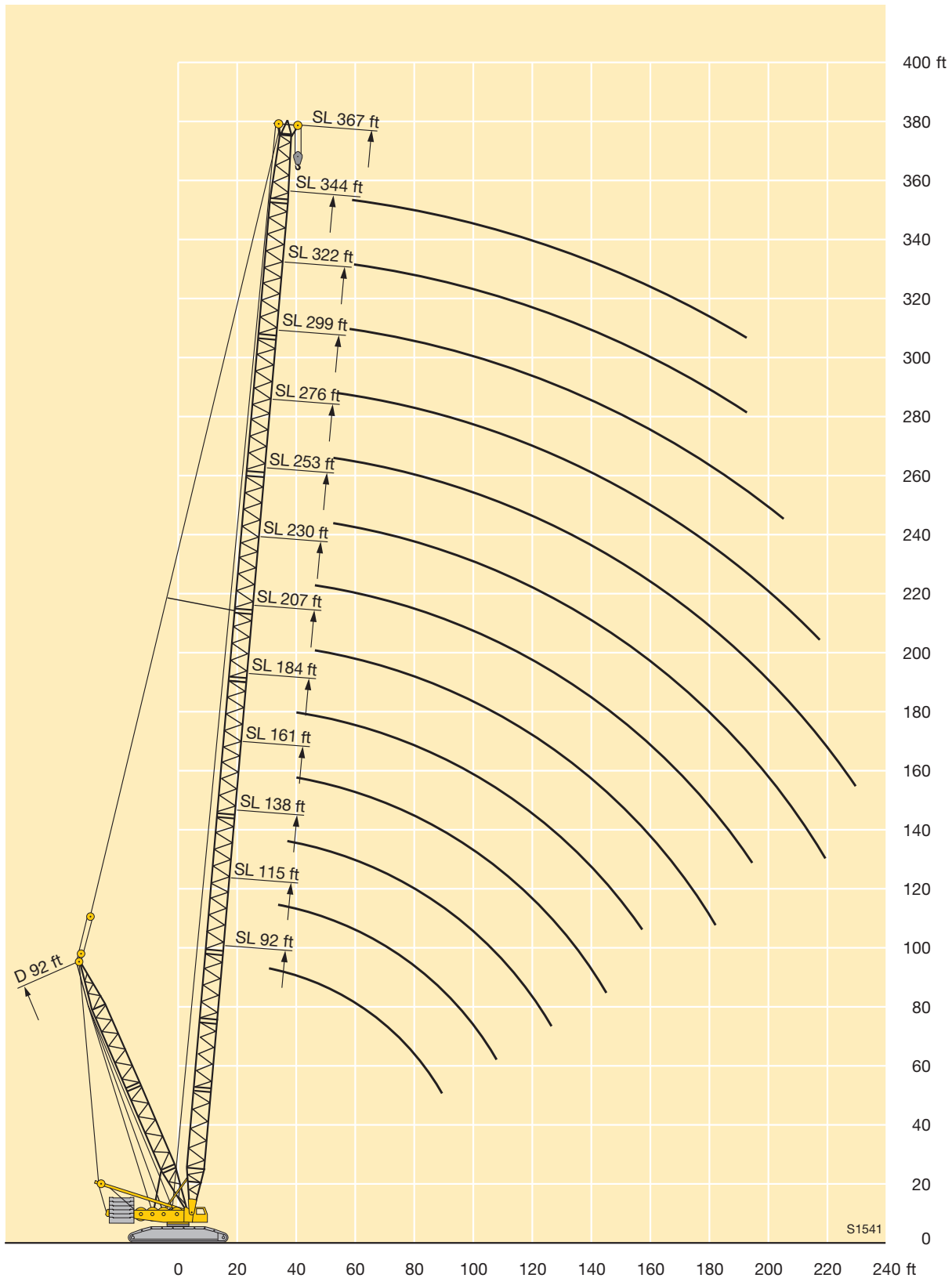
ft	92 ft	115 ft	138 ft	161 ft	184 ft	207 ft	230 ft	253 ft	276 ft*	299 ft*	322 ft*	344 ft*	367 ft*	ft
23		583	571											23
24		562	551											24
26		520	510											26
28	495	485	476	466										28
30	461	453	444	434	448									30
32	430	425	417	405	420									32
34	400	398	400	400	394	375	356							34
36	371	371	370	371	370	354	336							36
38	347	347	346	346	345	335	319	306						38
40	325	325	324	324	323	318	303	291	269					40
45	280	280	278	278	277	277	269	259	247					45
50	246	245	243	243	241	241	239	233	224	215	201			50
55	218	216	214	214	212	212	211	209	203	195	187	173	150	55
60	195	193	191	190	188	188	186	186	184	178	171	164	149	60
65	176	174	172	171	169	168	167	166	166	162	156	150	144	65
70	160	158	156	155	152	152	150	149	150	147	144	138	133	70
75	147	144	142	141	138	138	136	135	135	132	131	126	123	75
80	135	133	130	129	126	125	123	122	122	119	118	115	113	80
85	125	122	120	118	115	114	113	111	111	108	107	104	104	85
90		113	111	109	106	105	103	102	101	98.5	97	94	94.5	90
95		106	103	101	98	97	95	93.5	92.5	90	88.5	85.5	85.5	95
100		98.5	95.5	93.5	90.5	89.5	87.5	86	85	82	80.5	77.5	77.5	100
105			89	87	84	82.5	80.5	79	78	75	73.5	70.5	70.5	105
110			83	81	78	77	74.5	73	72	69	67	64.5	64	110
115			78	76	73	71.5	69	67.5	66.5	63.5	61.5	58.6	58.3	115
120			73.5	71	68	66.5	64	62.5	61.5	58.4	56.4	53.4	53	120
125				66.5	63.5	62	59.5	57.9	56.6	53.6	51.6	48.6	48.1	125
130				62.5	59.4	57.6	55.3	53.7	52.3	49.3	47.2	44.3	43.7	130
135				59.2	55.8	54	51.6	50	48.5	45.5	43.4	40.4	39.8	135
140				55.9	52.4	50.5	48	46.4	44.9	41.9	39.7	36.7	36.1	140
150					46.3	44.2	41.6	39.9	38.3	35.3	33	30.1	29.2	150
160						38.7	36	34.3	32.5	29.5	27.2	24.2	22.8	160
170						34	31.2	29.4	27.5	24.5	22.1	19.1	16.5	170
180						30	27.1	25.1	23.2	20.1	17.7	14.7	12.6	180
190							23.4	21.4	19.3	16.2	13.7	10.8	9.2	190
200								18	15.8	12.7	10.2			200
210								15	12.6	9.5				210
220								12.4	9.9	6.7				220
230									7.4					230

\* erectable only with derrick ballast

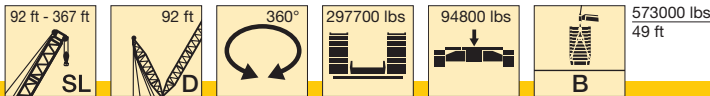
TAB 124073 / 124074



# Lifting heights on SLD boom/derrick combination



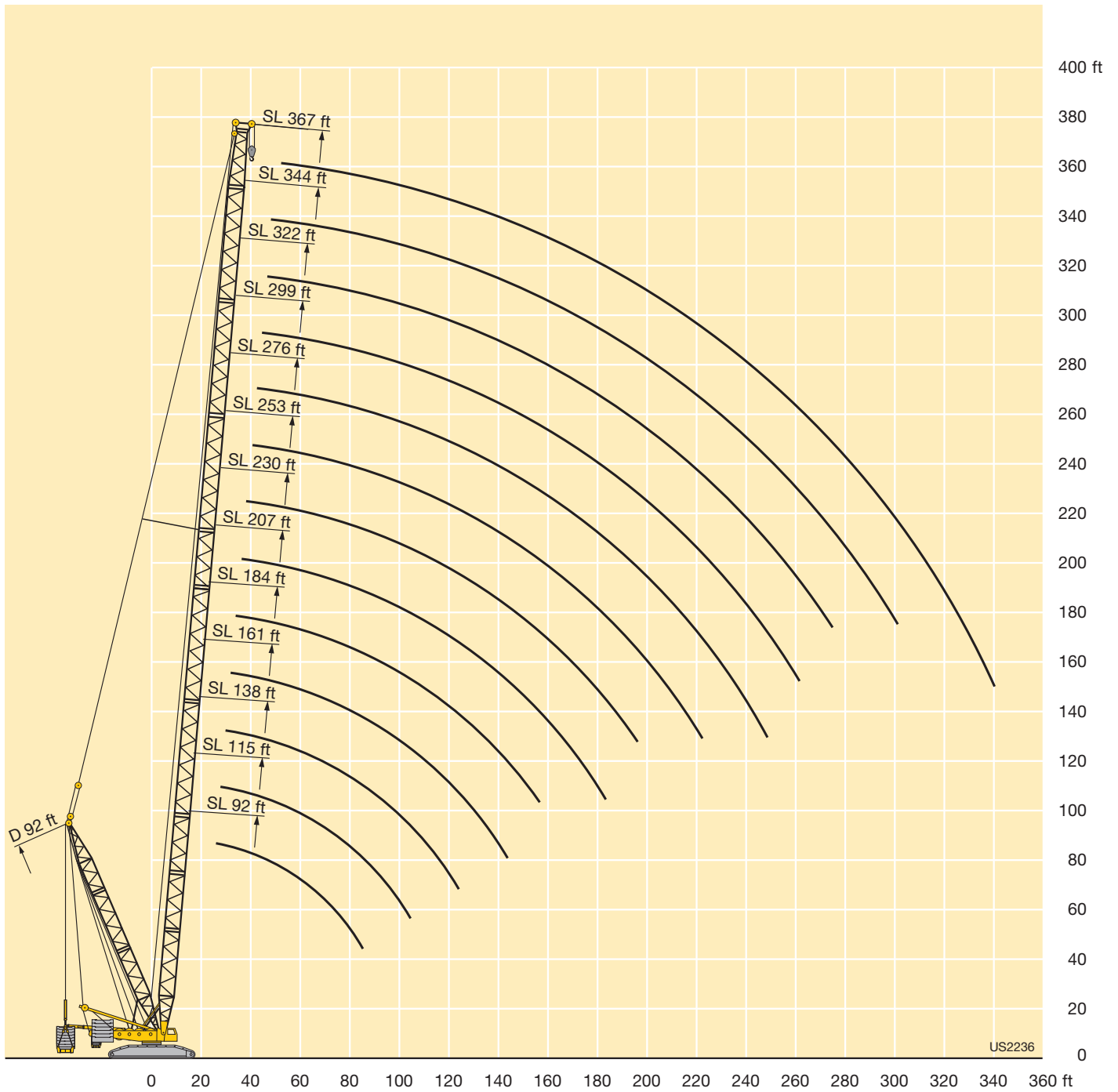
# Lifting capacities on SLDB boom/derrick combination



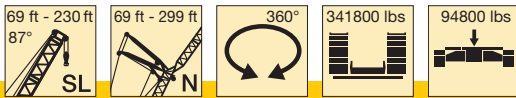
ft	92 ft	115 ft	138 ft	161 ft	184 ft	207 ft	230 ft	253 ft	276 ft	299 ft	322 ft	344 ft	367 ft	ft
21	772													21
22	766													22
23	758	745	719											23
24	756	742	717											24
26	750	737	713	657										26
28	745	733	710	655										28
30	741	729	706	652	605									30
32	736	725	703	649	603	531	476							32
34	733	721	700	647	601	530	475							34
36	729	717	697	644	599	529	475	404						36
38	726	714	694	642	598	528	474	404						38
40	715	711	691	640	596	528	474	404	330					40
45	648	704	679	635	593	526	473	404	325	277	238			45
50	579	678	653	616	579	524	472	404	320	276	238			50
55	520	634	627	594	559	518	471	401	316	275	238	201	167	55
60	470	578	601	570	534	505	468	396	313	274	237	199	165	60
65	426	528	565	549	510	482	459	388	309	272	236	196	162	65
70	394	486	520	516	497	465	442	378	303	270	234	194	160	70
75	366	450	481	480	477	447	422	367	297	266	231	192	158	75
80	340	418	448	444	451	429	403	357	289	260	227	188	154	80
85	316	390	422	414	419	411	388	347	283	253	222	182	150	85
90		367	398	390	391	394	375	338	276	247	217	177	146	90
95		346	377	369	368	374	359	328	270	242	212	173	142	95
100		327	358	349	347	352	341	318	264	236	208	168	138	100
105			339	332	329	331	324	308	258	231	203	164	134	105
110			322	319	312	314	312	299	252	225	199	159	130	110
115			307	304	298	298	299	288	246	220	196	155	127	115
120			294	290	286	283	286	276	241	216	192	152	124	120
125				278	275	268	272	264	235	211	188	148	120	125
130				267	264	257	259	254	229	206	184	144	116	130
135				256	253	248	248	244	222	202	180	141	113	135
140				245	242	239	237	235	214	197	176	137	109	140
150					223	221	217	219	199	187	169	130	103	150
160						204	201	203	184	178	161	123	97	160
170						192	187	188	171	169	154	116	91	170
180						179	175	175	162	159	147	110	86	180
190							164	162	155	150	141	105	81.5	190
200								150	147	140	135	100	77.5	200
210								141	139	131	128	96	73.5	210
220								132	134	124	121	92	70	220
230									126	116	114	88.5	67	230
240									119	109	107	86	64	240
250										103	101	83.5	62	250
260										97.5	95	81	59.7	260
270											90	79.5	57.5	270
280												78	55.5	280
290												76	53.9	290
300												72	52.7	300
310													51.7	310
320													50.4	320
330													48.9	330
340													47.6	340

TAB 147008 / 147014

# Lifting heights on SLDB boom/derrick combination



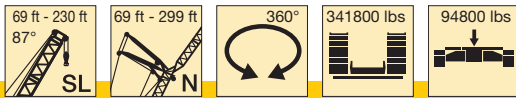
# Lifting capacities on SLN boom/jib combination



ft	69 ft											92 ft											ft			
	69 ft	92 ft	115 ft	138 ft	161 ft	184 ft	207 ft	230 ft	253 ft	276 ft	299 ft	69 ft	92 ft	115 ft	138 ft	161 ft	184 ft	207 ft	230 ft	253 ft	276 ft	299 ft				
40	285											287												40		
45	277	257	233									287	265											45		
50	260	244	223									272	254											50		
55	244	229	212	188								252	239	217										55		
60	227	216	201	182	153							230	221	208	180	147								60		
65	207	205	191	175	151	126						210	204	196	178	145	122							65		
70	188	190	183	168	148	125						191	189	183	173	142	121							70		
75	168	174	172	162	145	124	101					175	175	171	165	140	119	98						75		
80		160	160	155	141	123	100	83.5	69				161	159	154	138	118	96.5	80.5					80		
85		149	147	147	137	121	99	83	68	58.1			149	148	145	136	117	95.5	80	66.5				85		
90		138	136	137	132	120	97.5	82	67.5	57.7			139	138	137	132	116	94.5	79	65.5				90		
95		126	126	127	126	117	96.5	81	66.5	57.1	45		130	129	128	126	115	93.5	78	65	55.2	43.8		95		
100			119	118	118	114	95.5	80.5	65.5	56.5	44.3			121	120	119	113	92.5	77.5	64	54.7	43.2		100		
105			112	109	111	109	94.5	79.5	65	55.9	43.6			114	113	112	110	91.5	76.5	63.5	54.1	42.5		105		
110			105	103	104	103	93.5	79	64	55.4	42.9			107	106	106	104	90.5	76	62.5	53.7	41.9		110		
115			98	97.5	97	97.5	92	78	63.5	54.9	42.3			102	101	100	99	89.5	75.5	62	53.2	41.3		115		
120				92.5	91	92	89.5	77.5	63	54.4	41.7				95.5	94.5	93.5	88.5	74.5	61.5	52.7	40.7		120		
125				87.5	86	86.5	85.5	77	62	53.9	41.2				90.5	90	89	87	74	60.5	52.3	40.2		125		
130				83	82	81.5	81	76	61.5	53.5	40.6				86.5	85.5	84.5	83.5	73	60	51.9	39.7		130		
135				76.5	78.5	77.5	77	73.5	60	53	40.1				80.5	81.5	81	80	72	59	51.4	39.2		135		
140				70	74.5	73.5	73	71	58.7	52.5	39.6				74.5	78	77	76	71	57.7	50.9	38.7		140		
150					67.5	67	65.5	64.5	56.1	51.3	38.5					71	70.5	69	67.5	55.3	50	37.7		150		
160						61	59.6	58.3	53.5	49.9	37.2						64.5	63	63	52.8	48.8	36.5		160		
170						55.9	54.9	52.7	50.8	48	35.3						58.8	58	56.6	50.4	47.1	34.8		170		
180						49.6	50.5	48.7	46.9	45.6	33.4						52.5	53.4	52.3	48	45.3	33		180		
190							46.4	45.1	43.4	42	31.6							49	48.4	45.5	43.3	31.3		190		
200								41.6	41.6	40.2	38.2	29.9							44.1	44.7	42.6	40.8	29.6		200	
210									38.2	37.2	35.3	28.3								41.1	39.5	37.6	28		210	
220									35	34.3	32.7	26.2									37.7	36.5	34.9	26.1		220
230										31.6	30.2	24.2										33.6	32.3	24.2		230
240										28.6	27.8	22.3										30.5	29.8	22.2		240
250											25.5	20.4											27.3	20.4		250
260											23.4	18.6											25.1	18.6		260
270											20.1	16.9											21.6	16.9		270
280												15.6												15.6		280

TAB 124154

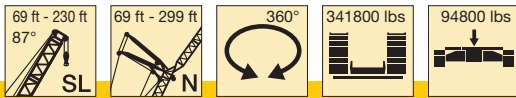
# Lifting capacities on SLN boom/jib combination



ft	115 ft											138 ft											ft		
	69 ft	92 ft	115 ft	138 ft	161 ft	184 ft	207 ft	230 ft	253 ft	276 ft	299 ft	69 ft	92 ft	115 ft	138 ft	161 ft	184 ft	207 ft	230 ft	253 ft	276 ft	299 ft			
40	286											272												40	
45	285	259										267	233											45	
50	264	247										249	227											50	
55	240	231	209									230	217	193										55	
60	221	212	203	172								211	203	187	160									60	
65	204	196	188	170	138	115						196	188	180	158	129								65	
70	189	183	176	167	136	115						183	176	169	155	128								70	
75	175	171	164	159	134	114	94					171	165	159	150	126	107	88						75	
80		160	154	150	132	113	93	77.5					155	149	144	125	106	87.5	73.5					80	
85		148	145	141	130	112	92	77	63.5				146	140	136	123	105	86.5	73	60				85	
90		138	137	133	127	111	91	76	63				137	133	129	121	104	85.5	72	59.7				90	
95		129	128	126	122	110	90	75.5	62	53			129	126	122	117	103	84.5	71.5	59.1	50.2			95	
100			120	120	116	109	89	74.5	61.5	52.5	41.9			120	116	112	102	84	70.5	58.4	49.8	39.9	100		
105			113	113	111	106	88	74	61	52	41.3			113	110	107	101	83	70	57.7	49.3	39.4	105		
110			107	106	105	101	87.5	73.5	60	51.5	40.7			107	105	102	98	82.5	69.5	57.1	48.9	38.9	110		
115			101	101	100	97	86.5	73	59.6	51.1	40.1			101	100	97.5	94.5	81.5	69	56.6	48.5	38.4	115		
120			94	95.5	94.5	92.5	85	72.5	59.1	50.6	39.6			95.5	95	93.5	90	80.5	68	56	48.1	37.9	120		
125				90.5	90	88.5	84	71.5	58.6	50.2	39				90	89.5	86.5	79.5	67.5	55.5	47.7	37.4	125		
130				86.5	85.5	84	82	71	58	49.8	38.5				86	85	83	79	67	54.9	47.4	36.9	130		
135				80.5	81.5	80.5	79	70	57.3	49.4	38				81.5	81.5	79.5	76.5	66.5	54.3	47	36.5	135		
140				74.5	78	77	75.5	69	56.4	49	37.6				77	77.5	76	73.5	66	53.7	46.7	36.1	140		
150					71.5	70	69	66	54.4	48	36.6					71	70	68	63.5	52.1	45.8	35.2	150		
160						64.5	63.5	62	52.1	46.8	35.6						64	62	60.5	50.1	44.8	34.3	160		
170						59.5	58.5	57.2	49.7	45.1	34.2						59.3	57.4	55.6	48.2	43.5	33.2	170		
180						52.7	54.2	52.9	47.5	43.4	32.5						54.7	53.2	51.4	46.2	42	31.6	180		
190							50.2	49.1	45.1	41.8	30.8							49.5	47.7	44	40.5	30	190		
200							45	45.7	42.6	40	29.2							45.1	44.3	41.8	39	28.5	200		
210								42.7	40.1	38	27.6								41.4	39.5	37.2	27	210		
220								38	37.8	35.9	25.9									38.8	37.1	35	25.4	220	
230									35.1	33.8	24										34.8	32.7	23.6	230	
240									31.3	31.7	22.1											31.8	30.5	21.8	240
250										29.6	20.3												28.5	20.1	250
260										26.4	18.6												26.7	18.4	260
270										22.2	16.9												23	16.8	270
280											15.6													15.5	280

TAB 124154

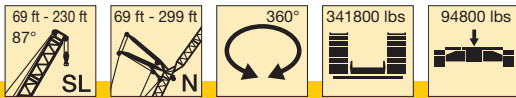
# Lifting capacities on SLN boom/jib combination



ft	161 ft											184 ft											ft	
	69 ft	92 ft	115 ft	138 ft	161 ft	184 ft	207 ft	230 ft	253 ft	276 ft	299 ft	69 ft	92 ft	115 ft	138 ft	161 ft	184 ft	207 ft	230 ft	253 ft	276 ft	299 ft		
45	240											218												45
50	232											215												50
55	219	200	176									207	185											55
60	203	191	171	147								195	180	160	137									60
65	188	181	165	145	120							181	173	155	135	112								65
70	176	169	160	141	119							169	163	150	132	111								70
75	165	159	153	138	117	99.5						159	153	145	129	110	93.5							75
80		149	144	135	116	98.5	82						144	139	126	108	92.5	77.5						80
85		141	136	131	114	97.5	81	68	56.5				136	131	123	107	91.5	76.5	64.5					85
90		134	129	125	113	97	80	67.5	56.1				129	124	120	105	91	76	64					90
95		127	122	118	111	96	79.5	66.5	55.6	47.2			123	118	114	104	90	75	63	52.9				95
100		121	116	112	108	95	78.5	66	55	46.8	37.9		117	112	109	102	89.5	74.5	62.5	52.4	44.5			100
105			111	107	104	94.5	78	65.5	54.4	46.4	37.4			107	104	99.5	88.5	73.5	62	51.9	44.1	35.7		105
110			106	102	99	93.5	77	65	53.9	46	36.9			103	99.5	95.5	87	73	61.5	51.4	43.7	35.2		110
115			101	98	95	90.5	76.5	64.5	53.4	45.7	36.4			98.5	95	91.5	85.5	72.5	61	50.9	43.3	34.8		115
120			95.5	94	91	87	75.5	64	52.9	45.3	36			94.5	91	87.5	83.5	71.5	60.5	50.4	43	34.3		120
125				90	87	83.5	74.5	63.5	52.5	45	35.5				87.5	84	81	71	60	50	42.7	33.9		125
130				86	83.5	80	74	63	52	44.6	35.1				84	80.5	78	70	59.7	49.5	42.3	33.5		130
135				82	80.5	77	72.5	62.5	51.5	44.3	34.7				81	77.5	75	69	59.1	49	42	33.1		135
140				78.5	77	74	70.5	62	51	44	34.3				77.5	74.5	72	68	58.6	48.5	41.8	32.7		140
150					70.5	68	66	61	49.8	43.3	33.5					68.5	66.5	63.5	57.5	47.3	41.1	32		150
160					64	62.5	60.5	58.8	48.3	42.4	32.7					63	61	58.5	55.9	45.8	40.3	31.3		160
170					56.3	57.7	55.7	54.4	46.6	41.5	31.8					58.5	56.4	53.8	52.5	44.2	39.6	30.4		170
180						53.6	51.6	50.4	44.8	40.2	30.4						52.4	49.9	48.6	42.7	38.6	29.4		180
190							48	46.7	42.9	39	28.9							46.3	45.1	41	37.5	28.1		190
200							44.6	43.4	40.8	37.7	27.5							43.1	41.9	39.1	36.3	26.8		200
210								40.5	38.4	36.2	26.2								39	36.9	35.1	25.5		210
220								37.9	35.8	34.1	24.8								36.5	34.4	32.8	24.2		220
230								33.7	33.5	32	23.1								33.7	32.1	30.5	22.7		230
240									31.3	29.8	21.4									30	28.2	21		240
250										27.8	19.7										25.9	19.5		250
260										25.9	18.2										23.8	18		260
270										23.2	16.7										22.3	16.5		270
280											15.4											15.2		280

TAB 124154

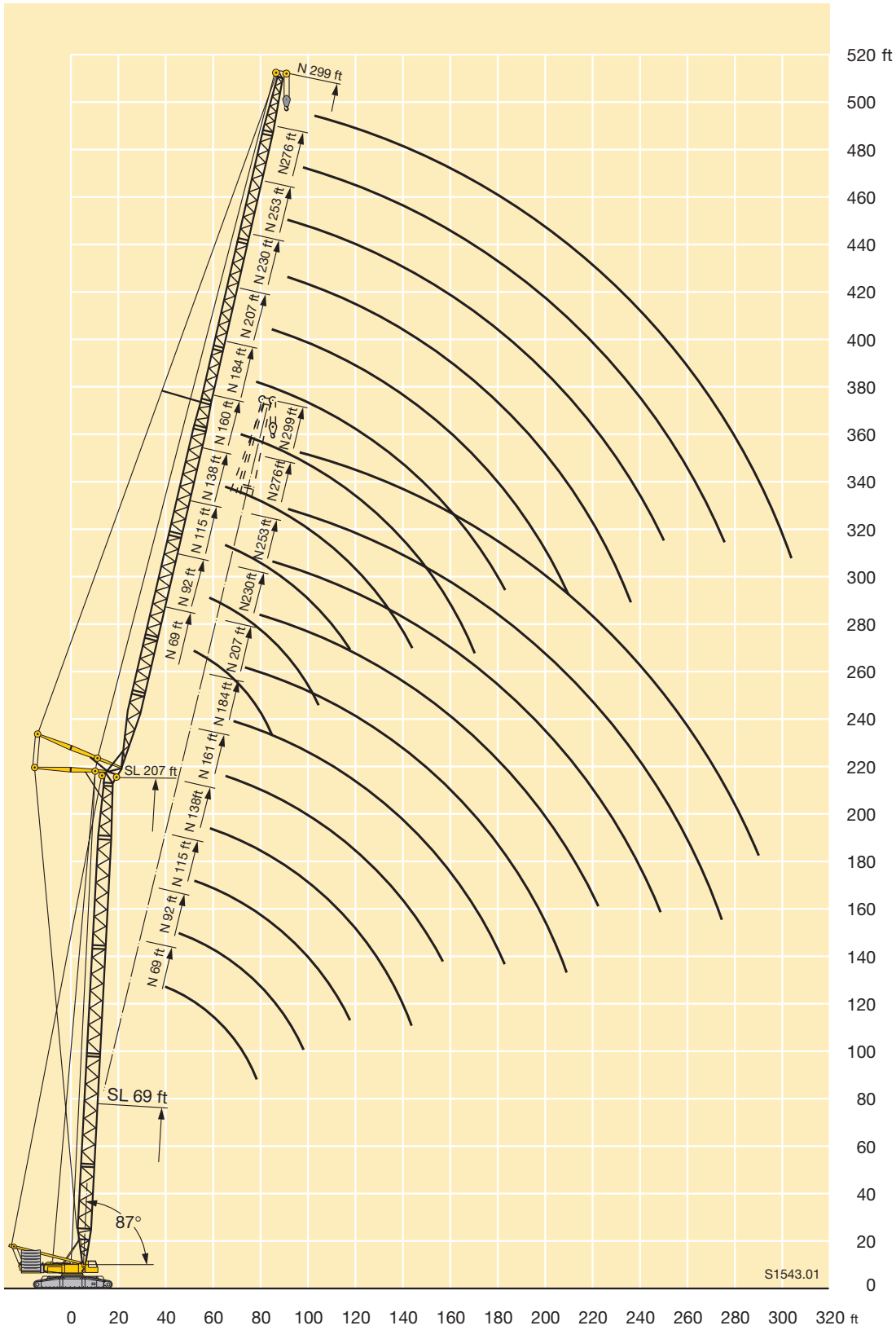
# Lifting capacities on SLN boom/jib combination



ft	207 ft											230 ft							ft		
	69 ft	92 ft	115 ft	138 ft	161 ft	184 ft	207 ft	230 ft	253 ft	276 ft	299 ft	92 ft	115 ft	138 ft	161 ft	184 ft	207 ft	230 ft		253 ft	
45	191																				45
50	189																				50
55	186	164										148									55
60	181	160	140									143	125								60
65	172	154	135	118								139	122	107							65
70	162	149	131	115								134	118	105							70
75	152	143	128	113	98							129	115	102	88.5						75
80	144	138	124	110	96	84	71					124	111	99	86.5	76.5					80
85	136	130	120	107	94	82.5	70.5	59.4				120	108	97	85	75	65.5				85
90		124	116	104	92.5	81	69.5	58.9				116	104	94	83	73.5	64				90
95		118	112	101	90.5	79.5	69	58.3	48.9			112	101	91.5	81.5	72	63	54.6	45.4		95
100		112	108	98.5	88.5	78.5	68.5	57.7	48.4	41		108	98	89	79.5	71	62	53.9	45.1		100
105			103	96	86	77	67.5	57.1	47.9	40.7	33.3		95	86.5	77.5	69.5	61	53.1	44.6		105
110			98.5	93	84	75.5	66.5	56.5	47.4	40.3	32.9		92.5	84	75.5	68	59.9	52.3	44.2		110
115			94.5	90.5	82	73.5	66	56	46.9	40	32.4		90	82	73.5	66.5	58.9	51.6	43.8		115
120			91	88	80	72	64.5	55.5	46.5	39.6	32		87.5	79.5	71.5	65	57.9	50.9	43.4		120
125				84.5	78	70.5	63.5	55	46.1	39.3	31.6			77.5	70	63.5	56.7	50.2	43		125
130				81	76.5	69	62	54.2	45.7	39	31.2			75.5	68	62	55.4	49.4	42.5		130
135				78	74	67.5	61	53.3	45.2	38.7	30.8			73.5	66.5	60.5	54.2	48.5	41.9		135
140				75	72	66	59.7	52.4	44.8	38.4	30.5			71.5	65	59.3	53.1	47.5	41.3		140
150					67	63	57.4	50.7	43.8	37.8	29.8				62	56.7	50.9	45.7	39.9		150
160					61.5	59	55	49.1	42.8	37	29.1				58.7	54.2	48.8	44	38.3		160
170					57.1	54.4	51.9	47.6	41.6	36.1	28.3				55	51.7	46.8	42.4	36.9		170
180						50.6	48.5	44.9	40.2	35	27.6					48.9	44.1	40.7	35.6		180
190							45.2	42.2	38.5	33.9	26.6						41.6	38.5	34.1		190
200							42	39.6	36.4	32.6	25.3						39.2	36.1	32.3		200
210								37	33.9	30.6	24.1							33.8	30.1		210
220								34.6	31.6	28.4	23							31.6	28		220
230								32.6	29.4	26.4	21.7							30.1	26		230
240									27.3	24.4	20.2								24.2		240
250										22.4	18.8										250
260										20.6	17.4										260
270										19.3	16.1										270
280											14.9										280
290											13.7										290
300											13										300

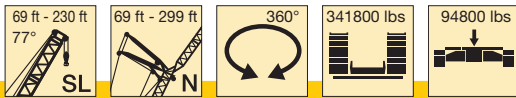
TAB 124154

# Lifting heights on SLN boom/jib combination





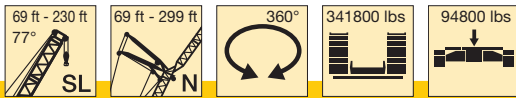
# Lifting capacities on SLN boom/jib combination



ft	69 ft										92 ft										ft				
	69 ft	92 ft	115 ft	138 ft	161 ft	184 ft	207 ft	230 ft	253 ft	276 ft	299 ft	69 ft	92 ft	115 ft	138 ft	161 ft	184 ft	207 ft	230 ft	253 ft		276 ft	299 ft		
60	226																							60	
65	204																								65
70	186											183													70
75	170	169										167	166												75
80	156	155	154									154	153												80
85	145	144	142									142	142												85
90	135	134	133	132								133	132	131											90
95		125	124	123								124	123	122	121										95
100		118	116	116	115								116	114	113										100
105		111	109	109	108	107							109	108	107	106									105
110		105	103	103	102	100							103	102	101	99.5									110
115			98	97	96	95	91.5						97.5	96	95	94	92.5								115
120			93	92	91	90	89							91	90	89	88								120
125			88	87.5	86.5	85.5	84.5	75						86.5	85.5	84.5	83.5	82							125
130			84	83.5	82	81	80	74.5						82.5	81.5	80.5	79.5	78.5							130
135				79.5	78.5	77.5	76.5	73	60						78	77	75.5	74.5	71						135
140				76	75	74	73	71	59.6						74.5	73.5	72.5	71.5	69						140
150				70	69	67.5	66.5	66	58.1	49.7					68.5	67	66	65	64	57.2					150
160					63.5	62	61	60.5	56	49.2	37.2					62	60.5	59.6	58.6	55.4	48				160
170					58.5	57.3	56.3	55.8	53.8	48.5	36.4					57.2	56	54.9	53.8	52.1	47.5				170
180					53.2	53.3	52.2	51.7	50.1	47.2	34.8					53.2	52	50.9	49.8	48.2	45.3	34.7			180
190						49.6	48.5	48	46.5	44.7	33.2						48.4	47.3	46.1	44.6	42.4	33.4			190
200							45.2	44.6	43.2	41.6	31.6						45.2	44	42.8	41.3	39.2	31.8			200
210							42.2	41.6	40.1	38.5	30.1							41.1	39.9	38.4	36.2	30.3			210
220							39.2	38.4	37.5	35.8	28.7							38.6	37.3	35.8	33.7	28.9			220
230								35.5	34.6	33.1	26.9								35	33.4	31.3	27.3			230
240								32.4	31.8	30.5	24.9								32.9	31.3	29.2	25.6			240
250									29.1	28	22.9									29.3	27.1	23.6			250
260									27	25.6	21.1										27.5	25.4	21.8		260
270										23.5	19.3										25.9	23.8	20		270
280										21.6	17.5											22.3	18.3		280
290											16											20.9	16.6		290
300											15.2											19	15.6		300
310											14.6												14.9		310

TAB 124156

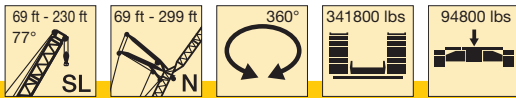
# Lifting capacities on SLN boom/jib combination



ft	115 ft										138 ft										ft			
	69 ft	92 ft	115 ft	138 ft	161 ft	184 ft	207 ft	230 ft	253 ft	276 ft	299 ft	69 ft	92 ft	115 ft	138 ft	161 ft	184 ft	207 ft	230 ft	253 ft		276 ft	299 ft	
75	163																							75
80	151	148										145												80
85	140	139										136												85
90	130	129	126									127	124											90
95		122	121	119								119	117	113										95
100			113	112	110							112	111	107	104									100
105			107	105	105	101							104	102	98.5									105
110			101	99.5	99	96.5							98.5	97	94									110
115			95.5	94	93.5	92							93.5	92	90	86.5								115
120			90.5	89	88.5	87.5	84						88.5	87	86	83	79.5							120
125				84.5	84	83	80.5	77.5					84	83	82	79	76							125
130				80.5	80	79	77	74.5					80	79	78	76	73							130
135				77	76.5	75.5	73.5	71						75.5	74.5	72.5	70	67.5						135
140				74	73	72	70.5	68						72	71	69.5	67	64.5						140
150					67	66	64.5	62	61	55.3					65	63.5	61.5	59.2	57.1					150
160					61.5	60.5	59	56.9	55.5	53.8	45.8				59.9	58.4	56.2	54.1	52.1	50.4				160
170					57.1	56	54.3	52.3	50.9	49.3	45.5				55.4	53.8	51.7	49.7	47.7	46.1				170
180						52.1	50.4	48.4	47	45.4	42.8	34.1				50.1	47.9	45.9	44	42.4	40			180
190							46.9	44.9	43.5	42	39.7	33				46.7	44.5	42.5	40.6	39	36.7	32.2		190
200							43.8	41.7	40.4	38.8	36.6	31.7					41.5	39.5	37.6	36	33.7	31.2		200
210								38.9	37.5	36	33.8	30.3						36.7	34.9	33.3	31	29.8		210
220								36.4	35.1	33.5	31.3	28.9						34.4	32.5	30.9	28.7	27.3		220
230								34.3	32.8	31.2	29.1	27.4						32.2	30.3	28.7	26.5	25.2		230
240									30.8	29.1	27	25.7							28.4	26.7	24.4	23.2		240
250									28.9	27.2	25	23.8							26.5	24.9	22.6	21.4		250
260									27.4	25.5	23.3	22.1							25	23.2	21	19.7		260
270										24	21.8	20.5								21.8	19.5	18.2		270
280											20.4	18.9								20.5	18.1	16.8		280
290												19.1	17.2									16.9	15.4	290
300													18	15.7								15.7	14.4	300
310														15									13.6	310
320																							12.7	320

TAB 124156

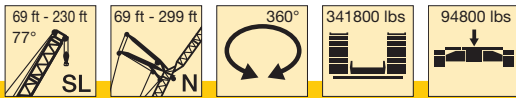
# Lifting capacities on SLN boom/jib combination



ft	161 ft										184 ft										ft					
	69 ft	92 ft	115 ft	138 ft	161 ft	184 ft	207 ft	230 ft	253 ft	276 ft	299 ft	69 ft	92 ft	115 ft	138 ft	161 ft	184 ft	207 ft	230 ft	253 ft		276 ft	299 ft			
80	136																							80		
85	128																								85	
90	121											114													90	
95	115	111										108	104												95	
100	109	106	101									103	99												100	
105	103	100	96.5	93								98	94	90.5											105	
110	97	96	92	89								94	90	86.5											110	
115		91	88	85								89.5	86	82.5	79.5										115	
120		86.5	84.5	81.5	78.5								82.5	79	76.5										120	
125		82	80.5	78	75	71.5							79	75.5	73	69.5									125	
130		78.5	77	74.5	72	68.5							75.5	72.5	70	67									130	
135			73.5	71.5	69	65.5								69.5	67	64	61.5								135	
140			70.5	68.5	66	63								66.5	64.5	61.5	59.1								140	
150			64.5	62.5	60.5	57.7	55.5	54						61	59	56.4	54.1	51.2							150	
160				57.6	55.5	52.7	50.6	49.2	46.8						54.2	51.6	49.4	46.7	45.2						160	
170				53.2	51.1	48.5	46.4	45	42.7						50.1	47.5	45.4	42.7	41.2						170	
180					47.5	44.8	42.8	41.4	39.2	37.4					46.6	44	41.9	39.2	37.9	35.5	33.7				180	
190					44.2	41.6	39.6	38.2	36	34.3	30.7					40.9	38.8	36.2	34.8	32.5	30.7	27.8			190	
200						38.6	36.6	35.3	33.1	31.4	29.4					38.2	36	33.4	32	29.7	28	25.7			200	
210						36	34	32.7	30.5	28.9	26.7						33.5	30.9	29.6	27.1	25.4	23.3			210	
220						33.9	31.7	30.4	28.1	26.5	24.5						31.3	28.7	27.3	25	23.3	21.2			220	
230							29.7	28.3	26	24.4	22.4							26.7	25.3	23	21.3	19.2			230	
240								27.9	26.3	24.1	22.5	20.5						24.9	23.5	21.2	19.5	17.4			240	
250									24.6	22.4	20.7	18.8							21.8	19.6	17.8	15.6			250	
260									23.1	20.9	19.2	17.2							20.4	18.1	16.2	14.4			260	
270										19.5	17.7	15.8							19.2	16.8	14.9	13.2			270	
280											18.2	16.4	14.5								15.6	13.9	12.2		280	
290												15.1	13.5									12.9	11.3		290	
300													14.2	12.5									12.1	10.4	300	
310														13.4	11.7								11.3	9.6	310	
320															10.9									8.9	320	
330																								8.3	330	
340																									7.7	340

TAB 124156

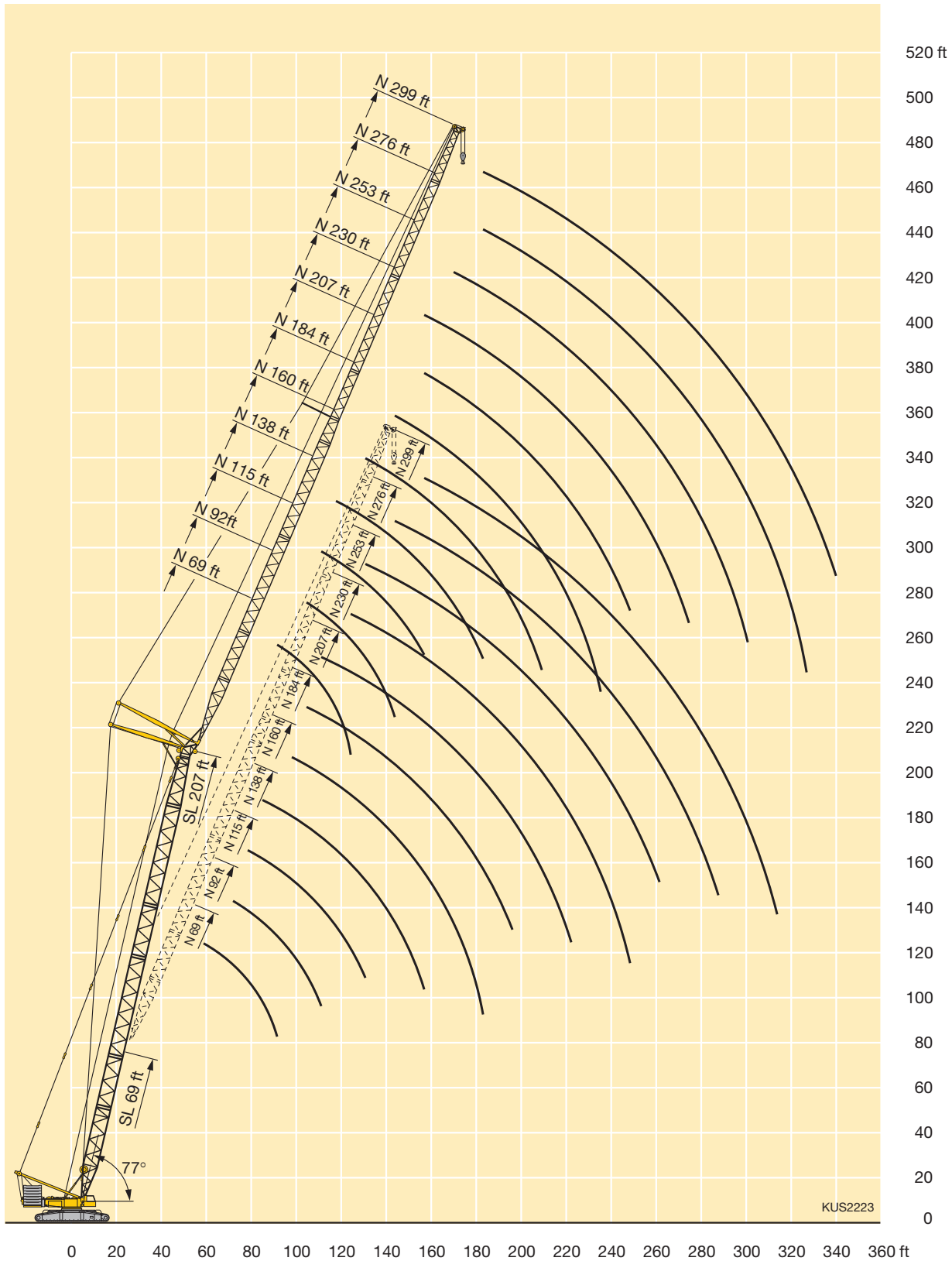
# Lifting capacities on SLN boom/jib combination



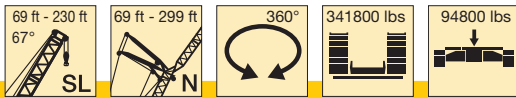
ft	207 ft											230 ft							ft		
	69 ft	92 ft	115 ft	138 ft	161 ft	184 ft	207 ft	230 ft	253 ft	276 ft	299 ft	92 ft	115 ft	138 ft	161 ft	184 ft	207 ft	230 ft		253 ft	
95	101																				95
100	95.5																				100
105	91	87.5										81									105
110	87	83.5										77.5									110
115	83.5	80	76.5									74									115
120	80	76.5	73	70.5								71	68								120
125		73.5	70	67.5								68	65	62.5							125
130		70.5	67.5	65								65.5	62.5	60							130
135		67.5	64.5	62.5	59.9							63	60	57.8	54.7						135
140		64.5	62	59.8	57.5							60	57.6	55.4	52.5						140
150			56.8	54.8	52.7	49.7							52.9	50.9	48.1	45.8					150
160				50.3	48.2	45.3	43.2	41					48.5	46.6	43.9	41.6	38.7				160
170				46.3	44.3	41.5	39.4	37.2					44.8	42.9	40.2	38	35.2				170
180				43	41	38.2	36.2	34.1	32.4					39.7	37.1	34.9	32.1	30.7	28		180
190					38	35.3	33.3	31.2	29.5	26.8	24.4			37	34.3	32.1	29.3	27.9	25.2		190
200					35.4	32.6	30.6	28.5	26.9	24.1	21.9				31.8	29.6	26.7	25.3	22.8		200
210						30.3	28.2	26.1	24.4	21.8	19.6					27.2	24.5	23.1	20.6		210
220						28.1	26.1	24	22.4	19.8	17.6					25.3	22.6	21.2	18.7		220
230						26.3	24.2	22.1	20.5	18	15.7					23.6	20.8	19.4	16.8		230
240							22.5	20.4	18.8	16.3	14.2						19.2	17.8	15.2		240
250								18.9	17.2	14.7	12.9						17.8	16.3	14		250
260								17.5	15.7	13.6	11.8						16.6	15.1	13		260
270								16.3	14.6	12.5	10.8						14	12			270
280									13.6	11.6	9.8										280
290									12.8	10.7	9										290
300									12	9.9	8.2										300
310										9.2	7.5										310
320										8.6	6.8										320
330											6.2										330
340											5.7										340

TAB 124156

# Lifting heights on SLN boom



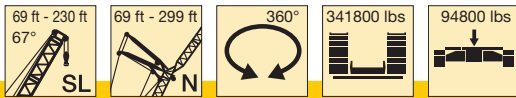
# Lifting capacities on SLN boom/jib combination



ft	69 ft											92 ft											ft	
	69 ft	92 ft	115 ft	138 ft	161 ft	184 ft	207 ft	230 ft	253 ft	276 ft	299 ft	69 ft	92 ft	115 ft	138 ft	161 ft	184 ft	207 ft	230 ft	253 ft	276 ft	299 ft		
90	131																							90
95	122											118												95
100	115	113										111												100
105		107										104	103											105
110		101										98.5	97.5											110
115		95.5	94									92.5												115
120		90.5	89									87.5	86											120
125			85	84								83.5	82											125
130			81	80								79.5	78											130
135			77.5	76.5	75.5								74.5	73.5										135
140			74	73	72								71.5	70										140
150				67	66	64.5							65.5	64.5	63									150
160				61.5	60.5	59.3	58.1							59.1	57.9	56.6								160
170				57.2	55.9	54.6	53.5							54.7	53.5	52.2								170
180					52	50.7	49.6	49						51	49.7	48.4	46.9							180
190					48.6	47.2	46.1	45.4	43.6						46.3	45	43.4	42.1						190
200						44.1	42.9	42.2	40.4	38.7						42	40.3	39	37.4					200
210							40	39.4	37.5	35.8	30.1						39.2	37.5	36.2	34.6	32.4			210
220							37.5	36.9	34.9	33.3	28.9						36.9	35.1	33.8	32.2	30			220
230							35.3	34.6	32.6	30.9	27.7							33	31.5	29.9	27.8	26.5		230
240								32.5	30.5	28.8	26.3							31.1	29.5	27.9	25.7	24.4		240
250								30.5	28.5	26.8	24.5								27.7	26	23.8	22.6		250
260								28.8	26.8	25	22.8								26.1	24.3	22.2	20.9		260
270									25.2	23.4	21.1								24.7	22.8	20.6	19.4		270
280									23.9	22	19.5										21.4	19.2	17.9	280
290										20.6	18.1											18	16.6	290
300										19.5	17.1											16.8	15.4	300
310											16.1											15.8	14.4	310
320											15.2													320
330																								330
340																								340

TAB 124158

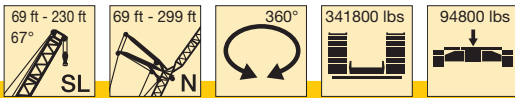
# Lifting capacities on SLN boom/jib combination



ft	115 ft											138 ft											ft		
	69 ft	92 ft	115 ft	138 ft	161 ft	184 ft	207 ft	230 ft	253 ft	276 ft	299 ft	69 ft	92 ft	115 ft	138 ft	161 ft	184 ft	207 ft	230 ft	253 ft	276 ft	299 ft			
100	107																							100	
105	101																								105
110	95																								110
115	90											86.5													115
120		84										82													120
125		80	78.5									77.5	76.5												125
130		76	75									74	73												130
135		73	71.5										69.5												135
140		69.5	68.5										66.5												140
150			62.5	61.5										59.7											150
160				56.8	55.6									54.9	53.3										160
170				52.5	51.3									50.8	49.1										170
180				48.8	47.6	45.1									45.6	43.5									180
190					44.3	41.8	39.7								42.6	40.4	38.2								190
200					41.4	38.8	36.8	35.4								37.6	35.4	33.3							200
210						36.2	34.1	32.7	31.1							35.1	32.9	30.8	28.9						210
220						34	31.8	30.4	28.8							33.1	30.7	28.6	26.6						220
230						32	29.8	28.3	26.7	24.4							28.7	26.6	24.6	23					230
240							27.9	26.3	24.7	22.4	21.2							24.8	22.8	21.2	18.8				240
250								24.6	22.9	20.7	19.4							23.2	21.2	19.5	17.1	15.6			250
260								23.1	21.4	19.1	17.8							21.8	19.8	18.1	15.6	14.4			260
270								21.7	19.9	17.7	16.3								18.5	16.6	14.4	13.3			270
280									18.6	16.3	15								17.3	15.4	13.3	12.2			280
290									17.4	15.1	13.9									14.4	12.4	11.2			290
300									16.5	14.2	12.9									13.6	11.5	10.3			300
310										13.3	12.1									12.9	10.7	9.5			310
320										12.6	11.3										10	8.8			320
330											10.5											8.1			330
340											9.9											7.5			340
350																						6.9			350

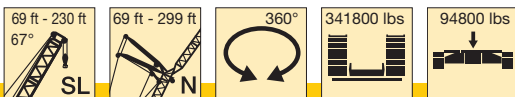
TAB 124158

# Lifting capacities on SLN boom/jib combination



ft	161 ft										184 ft										ft			
	69 ft	92 ft	115 ft	138 ft	161 ft	184 ft	207 ft	230 ft	253 ft	276 ft	299 ft	69 ft	92 ft	115 ft	138 ft	161 ft	184 ft	207 ft	230 ft	253 ft		276 ft	299 ft	
125	74																						125	
130	70.5																							130
135		66.5										63												135
140		63.5										60												140
150		58.1	55.6										52.7											150
160		51	49										48.4	45.9										160
170		47.1	45.1										44.7	42.3										170
180		43.8	41.7	39.6										39.2	37.2									180
190			38.8	36.7	33.9									36.5	34.5	31.8								190
200			36.2	34.1	31.3	29.2								32	29.4	27.1								200
210				31.7	29	26.7	25.3								27.1	24.8	22							210
220				29.7	26.9	24.7	23.3								25.2	22.9	20.2							220
230					25	22.9	21.5	19.1							23.6	21.2	18.5	16.9						230
240					23.4	21.2	19.8	17.4	15.6							19.7	16.9	15.3	13.3					240
250						19.7	18.2	15.7	14.2	12.4					18.3	15.4	14.1	12.1	10.5					250
260						18.3	16.8	14.6	13	11.3					17.2	14.4	13.1	11.1	9.5					260
270						17.2	15.6	13.5	12	10.3						13.5	12.1	10.1	8.6	6.9				270
280							14.5	12.5	11	9.3						12.7	11.3	9.3	7.8	6				280
290							13.7	11.7	10.1	8.4							10.5	8.5	7	5.2				290
300							13	10.9	9.3	7.6							9.8	7.8	6.2	4.5				300
310								10.2	8.6	6.9								7.2	5.6					310
320									7.9	6.2								6.6	5					320
330										7.3	5.6													330
340										6.8	5													340
350											4.5													350

TAB 124158

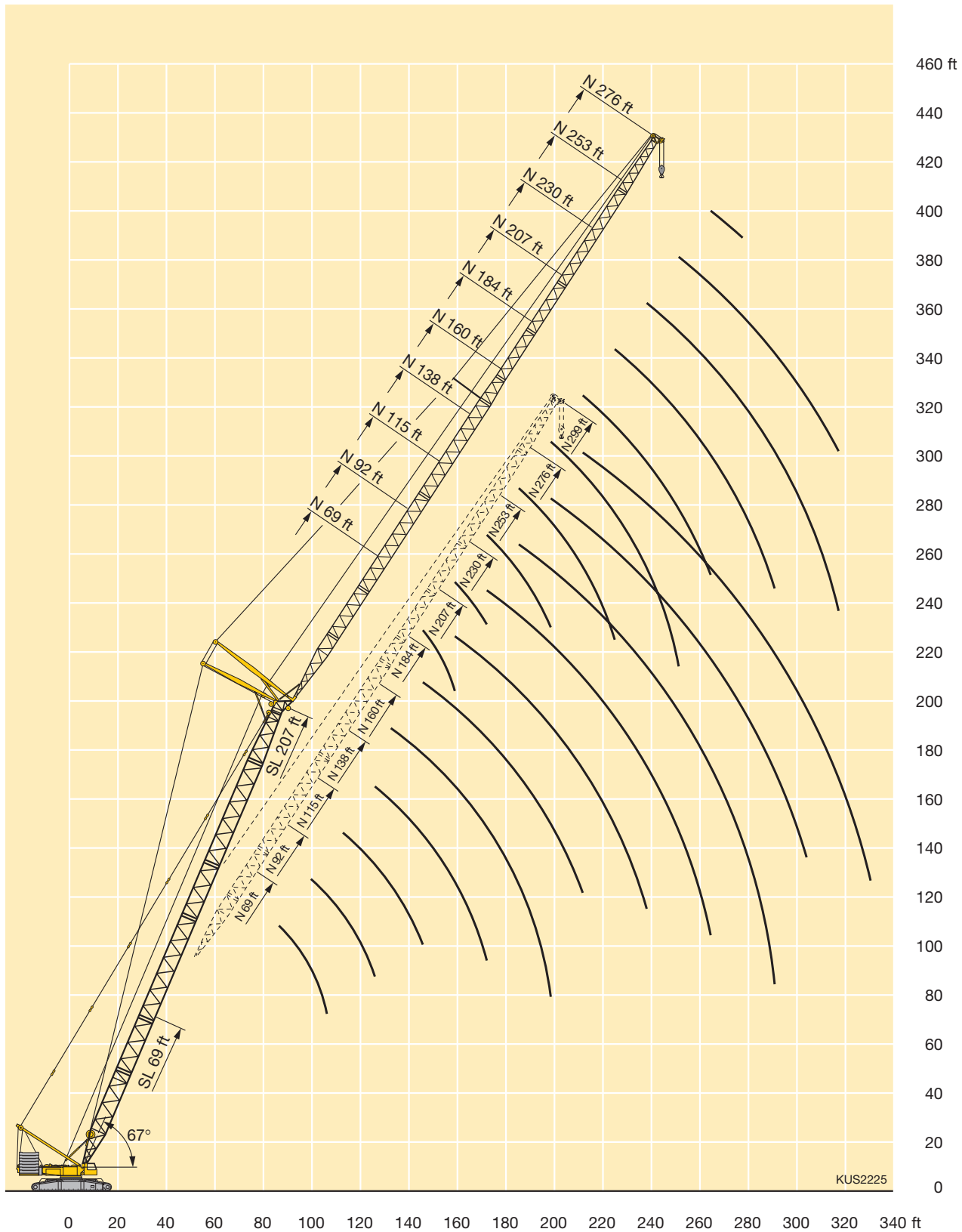


ft	207 ft										230 ft						ft							
	69 ft	92 ft	115 ft	138 ft	161 ft	184 ft	207 ft	230 ft	253 ft	276 ft	92 ft	115 ft	138 ft	161 ft	184 ft	207 ft		230 ft						
150	49.3																						150	
160		42.7																						160
170		39.3																						170
180			34																					180
190			31.5	29.5																				190
200				27.2	24.9																			200
210				25.1	23	20																		210
220				23.4	21.2	18.2																		220
230					19.7	16.6	14.5																	230
240					18.3	15.2	13.3	11.5																240
250						14.1	12.2	10.4	9															250
260						13.3	11.3	9.5	8.1															260
270							10.5	8.7	7.3	5.1														270
280							9.7	7.9	6.5															280
290								7.2	5.8															290
300								6.7	5.2															300
310								6.2	4.6															310

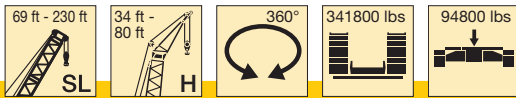
TAB 124158



# Lifting heights on SLN boom



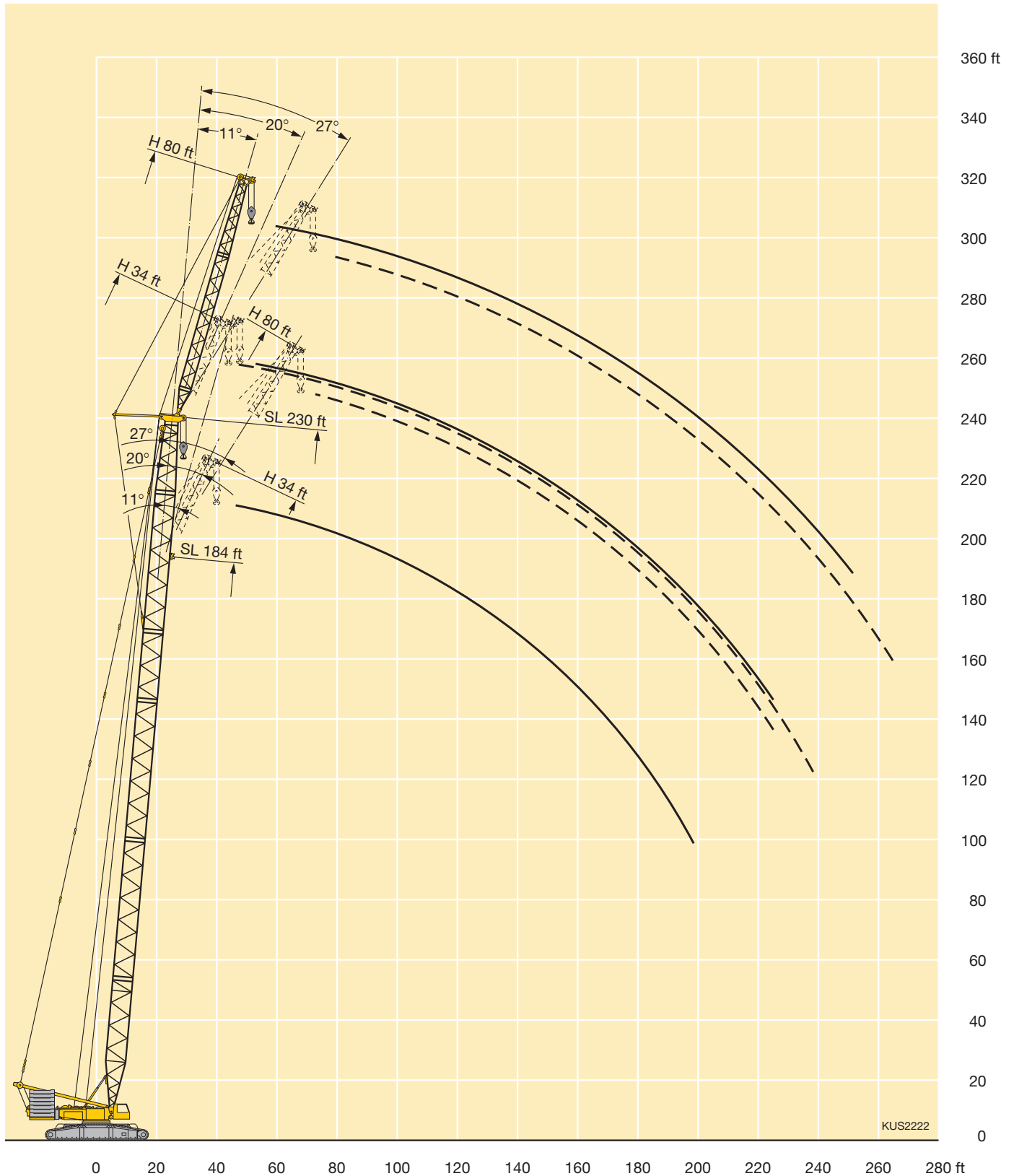
# Lifting capacities on SLH boom/jib combination



ft	184 ft			207 ft			230 ft			ft
	34 ft	80 ft		34 ft	80 ft		34 ft	80 ft		
	20°	11°	27°	20°	11°	27°	20°	11°	27°	
50	144			147			150			50
55	139	98		142	100		145			55
60	135	93.5		138	96		140	98		60
65	130	88.5		134	91.5		137	94.5		65
70	121	84		129	87.5		134	90.5		70
75	111	79.5	49.8	122	83		129	86.5		75
80	101	75	48.2	113	79	49.1	123	82.5	49.9	80
85	92.5	71.5	46.6	103	74.5	47.6	114	78.5	48.5	85
90	85	69	45.3	95.5	72	46.3	105	74.5	47.1	90
95	78	66.5	44.1	88	69.5	45.1	98	72	46	95
100	72	63.5	42.9	81.5	67	44	91	69.5	45	100
105	66	61	41.7	75.5	64.5	42.9	84.5	67.5	43.9	105
110	61	58.5	40.5	70	62	41.8	79	65	42.9	110
115	56.3	55.8	39.2	65.5	59.8	40.7	74	63	41.9	115
120	51.9	52.9	38.2	60.5	57.3	39.6	69	61	40.8	120
125	47.6	49.9	37.4	56.4	54.9	38.5	64.5	58.6	39.8	125
130	43.7	46.4	36.5	52.4	52.1	37.7	60.5	56.4	38.8	130
135	40	42.9	35.7	48.7	49	37	56.5	53.9	38	135
140	36.6	39.4	34.9	45	45.8	36.2	52.9	51.4	37.3	140
150	30.3	33	33	38.3	39.5	34.7	46	45.6	35.9	150
160	24.7	27.3	30.5	32.3	33.5	33.1	39.7	39.5	34.5	160
170	19.6	22.1	26.1	27.1	28.2	31.1	34.1	34	33.1	170
180	15.5	17.6	21.2	22.5	23.5	26.9	29.3	29.1	31.2	180
190	12.1	13.9	16.7	18.2	19.1	22.4	24.8	24.7	27.7	190
200		11	13	14.6	15.3	18.1	20.6	20.5	23.4	200
210		8.6	10.3		12.3	14.2	16.7	16.5	19.3	210
220		6.6	7.9		10.1	11.7	13.8	13.7	15.6	220
230					8	9.4	11.4	11.3	12.8	230
240								9.3	10.6	240
250									8.5	250
260									6.7	260

TAB 124166

# Lifting heights on SLH boom





## Crane Rental Service

### TRUCK CRANES

Capacities 82 to 200 tons  
Booms to 390 feet

### HYDRAULIC CRANES

Capacities 8.5 to 625 tons  
Booms to 480 feet

### CRAWLER CRANES

Capacities 115 to 440 tons  
Booms to 512 feet

### TOWER CRANES

Favco 750 & 1000 "Kangaroos"  
Link-Belt TG-1900's

**Proudly Offering the Largest and Most Diverse  
Selection of **LIEBHERR** All Terrain and  
Crawler/Luffer Cranes in New York City**

